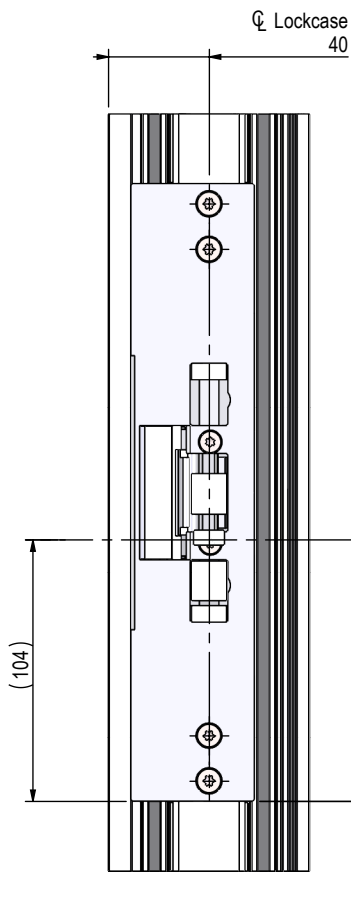
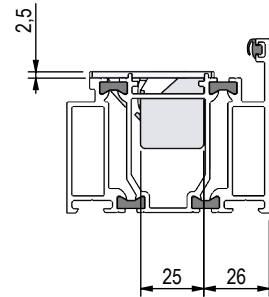
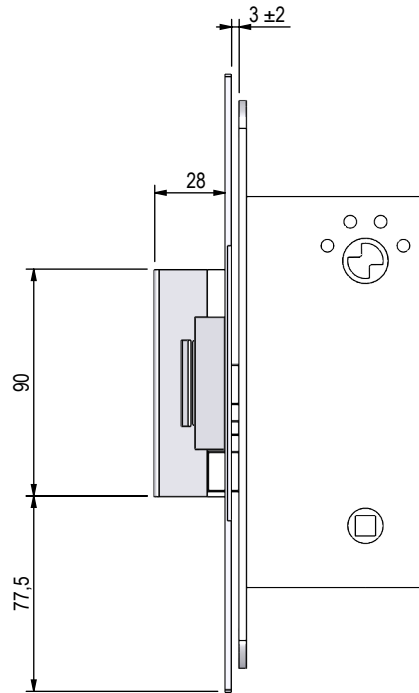
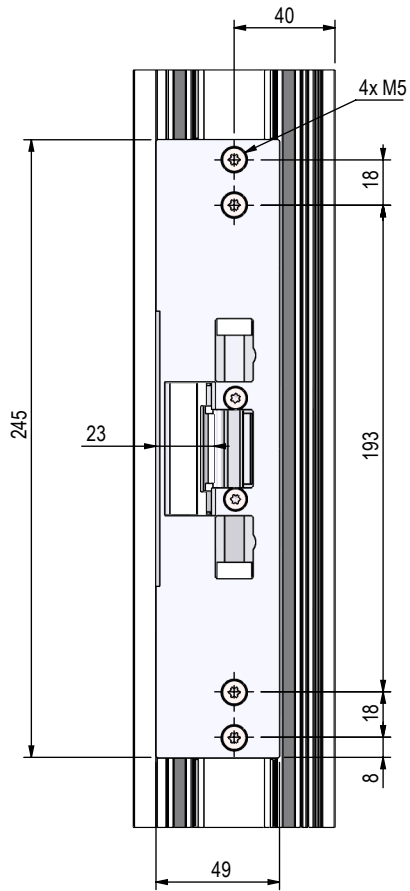


STEP 40 Preload
STEP 90 Preload

STEP 48 Preload
STEP 98 Preload

STEP 90 Release



Classic bolt placement

Modern bolt placement

