



ST4010-14

Flat faceplate 150x36

Lip width 14 mm

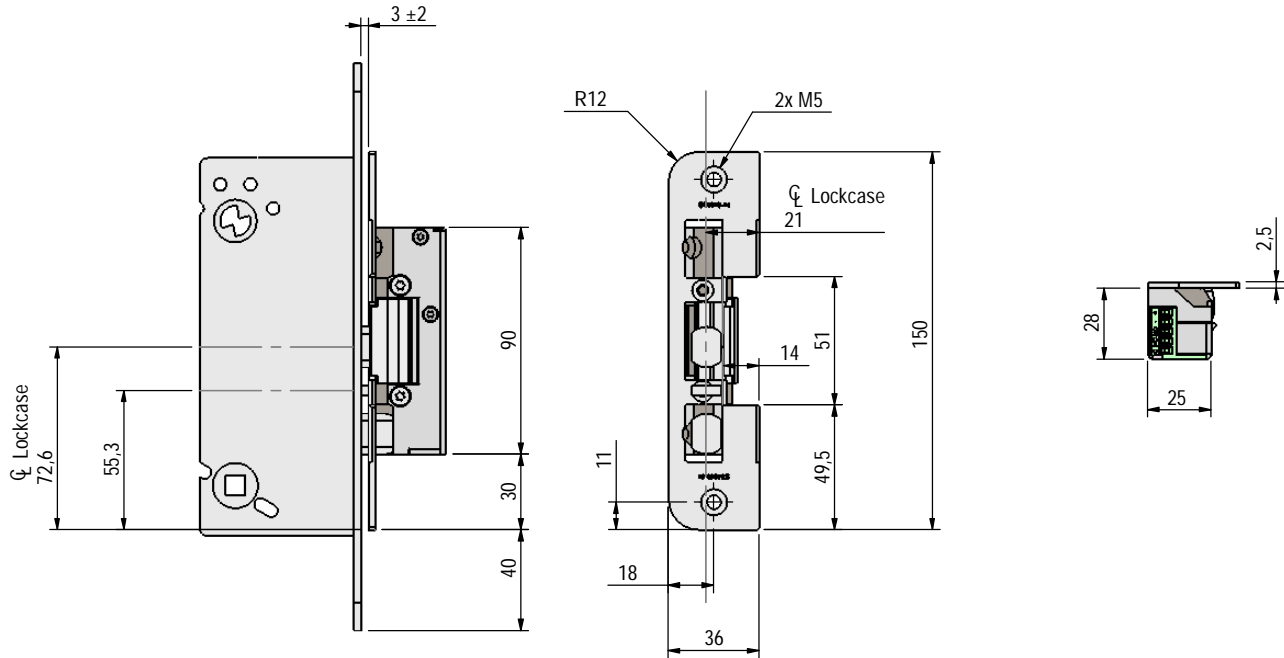
Scale
1:3

STEP 40 Preload
STEP 90 Preload

STEP 48 Preload
STEP 98 Preload

STEP 90 Release

ASSA Connect



STEP 40 Preload
STEP 90 Preload

STEP 48 Preload
STEP 98 Preload

STEP 90 Release

ASSA Modular

