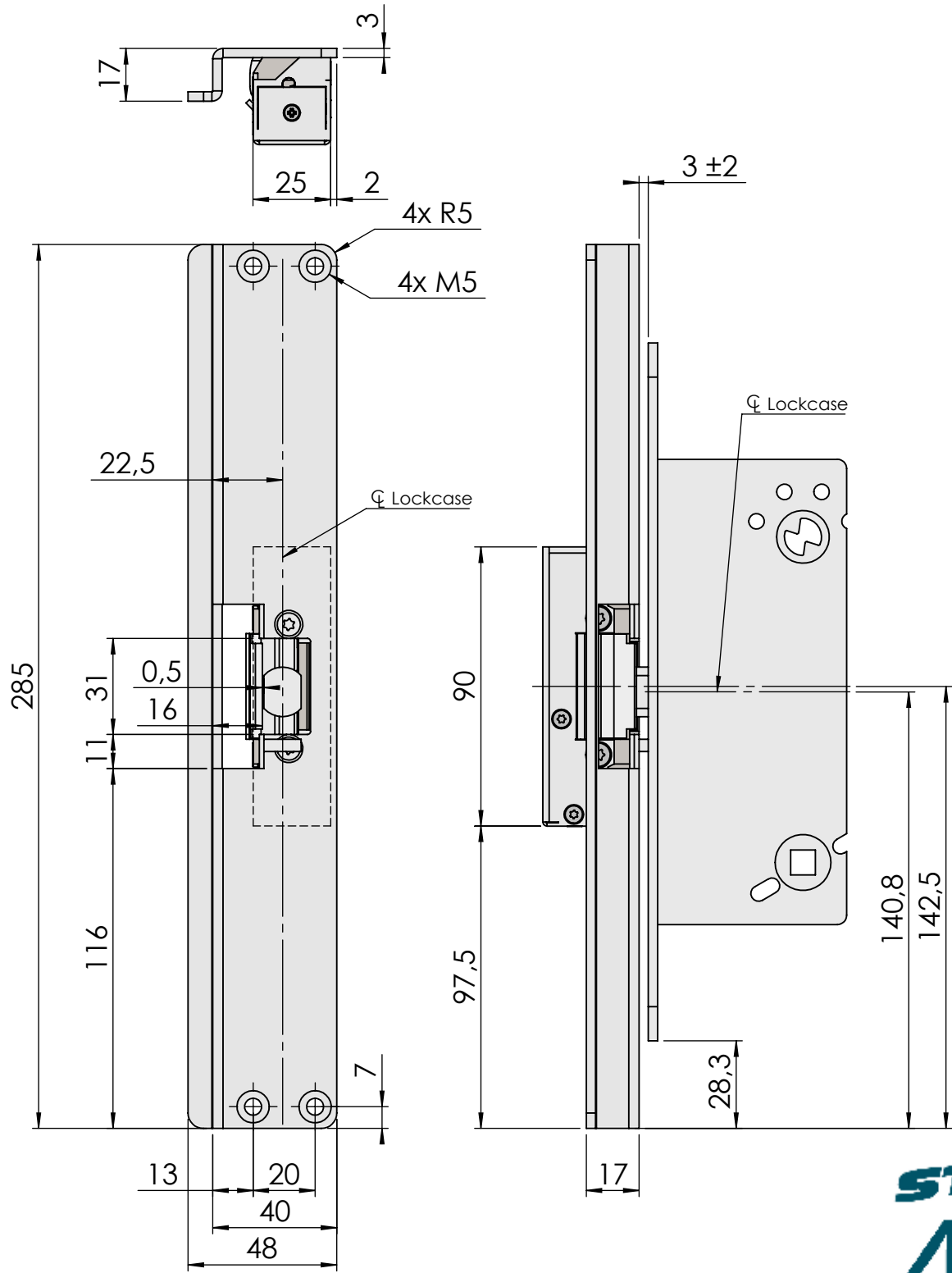




# Montering för Connect



This document shall not be copied without owners written allowance and its content shall not be exposed for third part nor be used for unauthorized purpose.

A	Owner	Title/Description	
	Stendals EI AB	Brytskydd connect för Step 40 Montering för Connect	
	Drawing no.	ST4063	Scale
			1:2