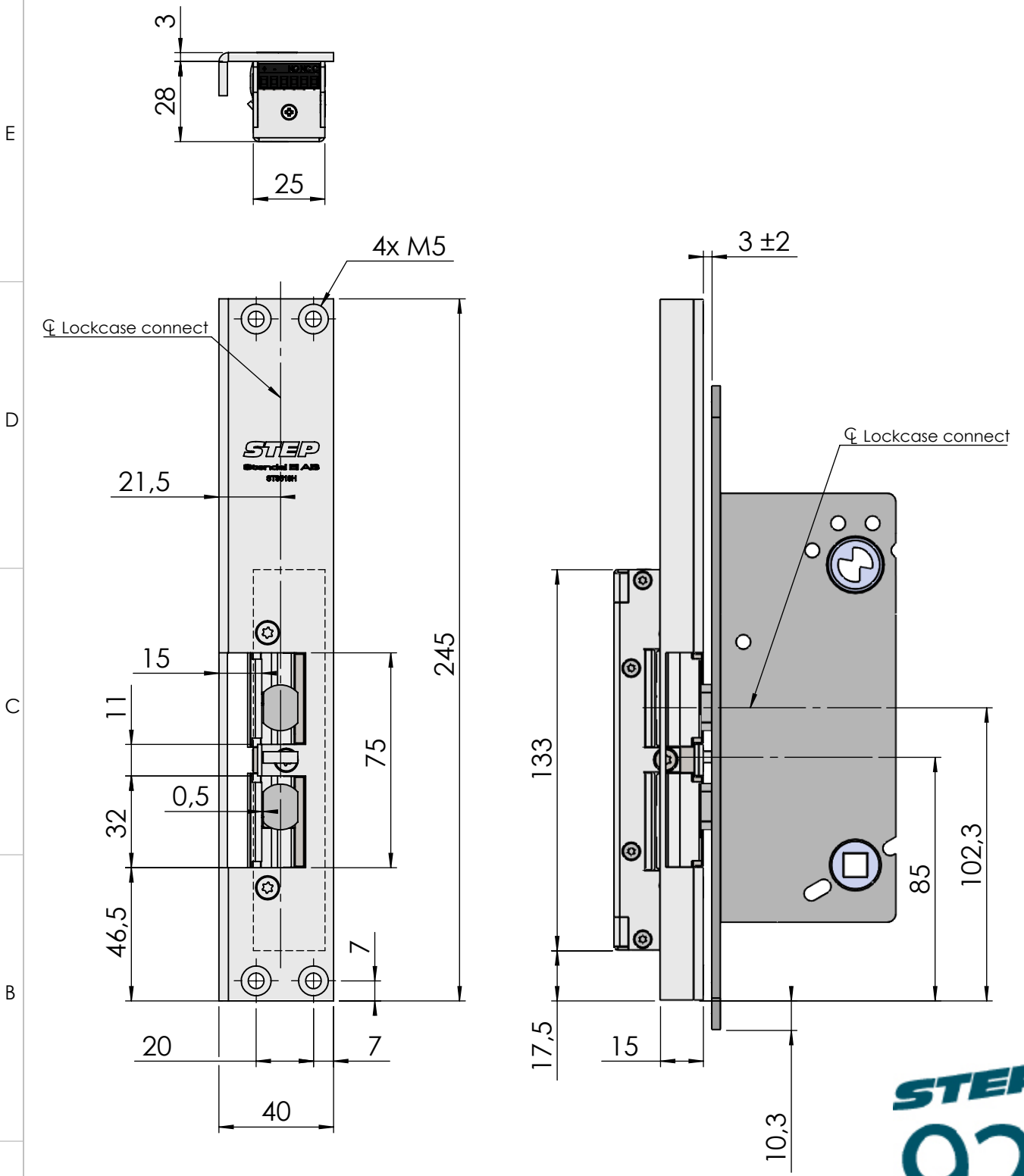


**STEP**

# Montering för Connect



**STEP**  
**92**  
PRELOAD

Owner  
**Stendals El AB**

Title/Description  
STEP 92 med vinklad stolpe plös 15mm  
Montering för Connect

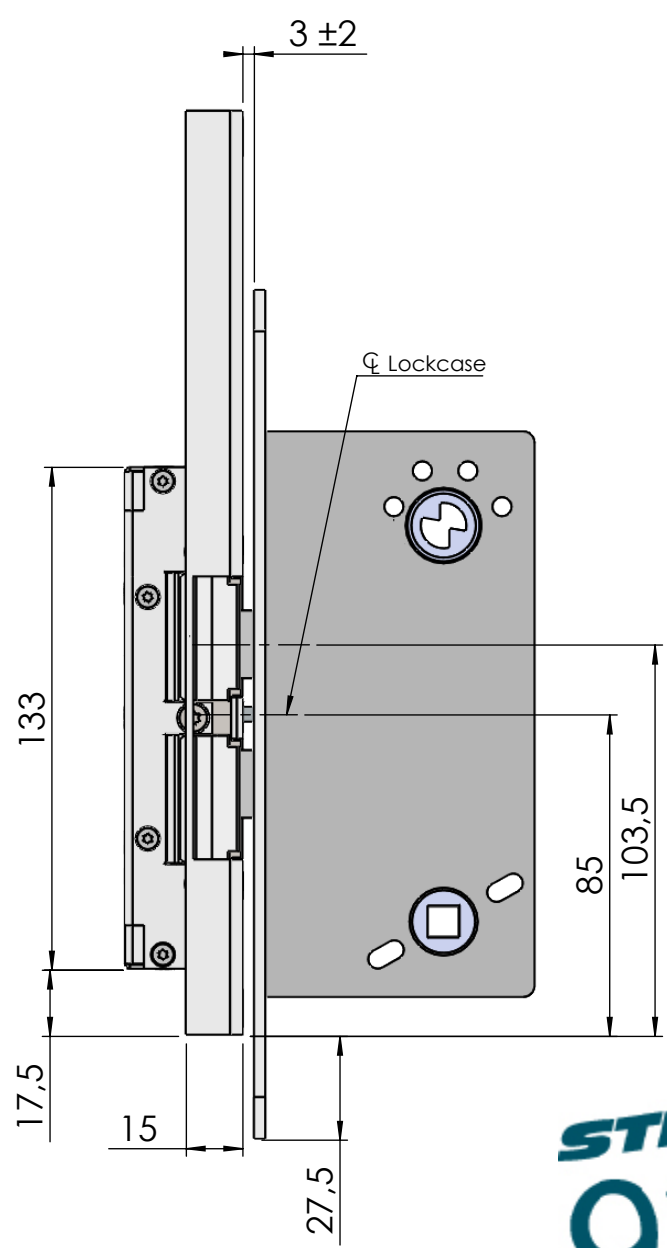
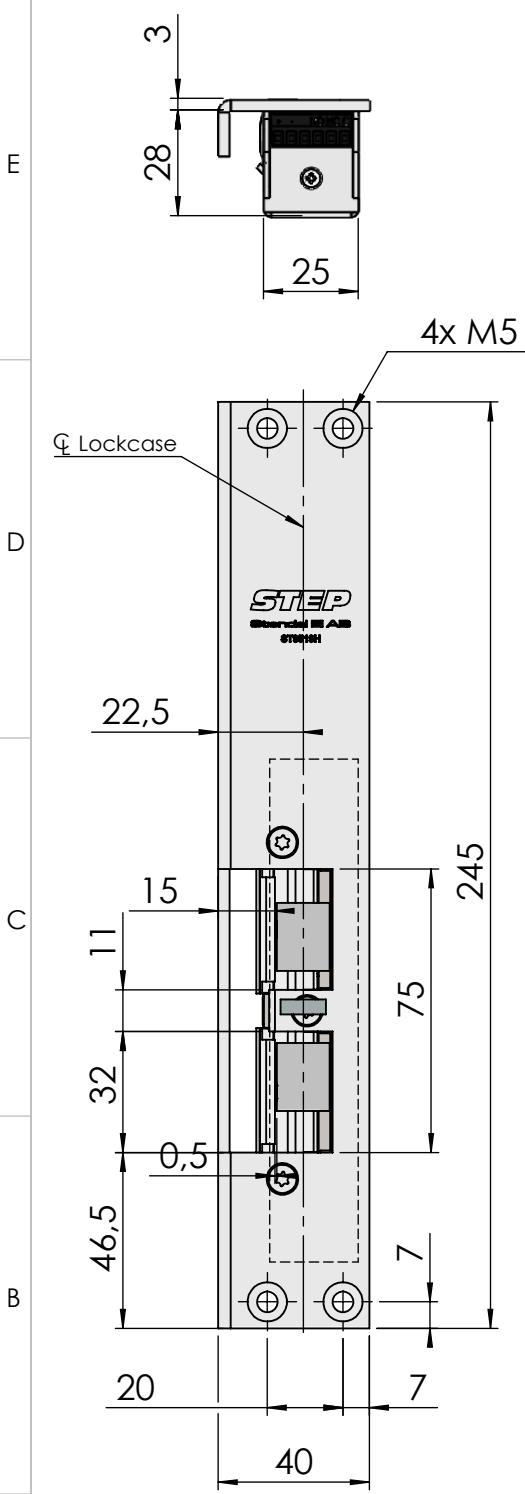
Drawing no.  
**ST9519H**

Scale  
**1:2**

This document shall not be copied without owners written allowance and its content shall not be exposed for third part nor be used for unauthorized purpose.



# Montering för Modul



This document shall not be copied without owners written allowance and its content shall not be exposed for third part nor be used for unauthorized purpose.

Owner <b>Stendals EI AB</b>	Title/Description STEP 92 med vinklad stolpe plös 15mm Montering för Modul Drawing no. <b>ST9519H</b> Scale <b>1:2</b>
--------------------------------	---