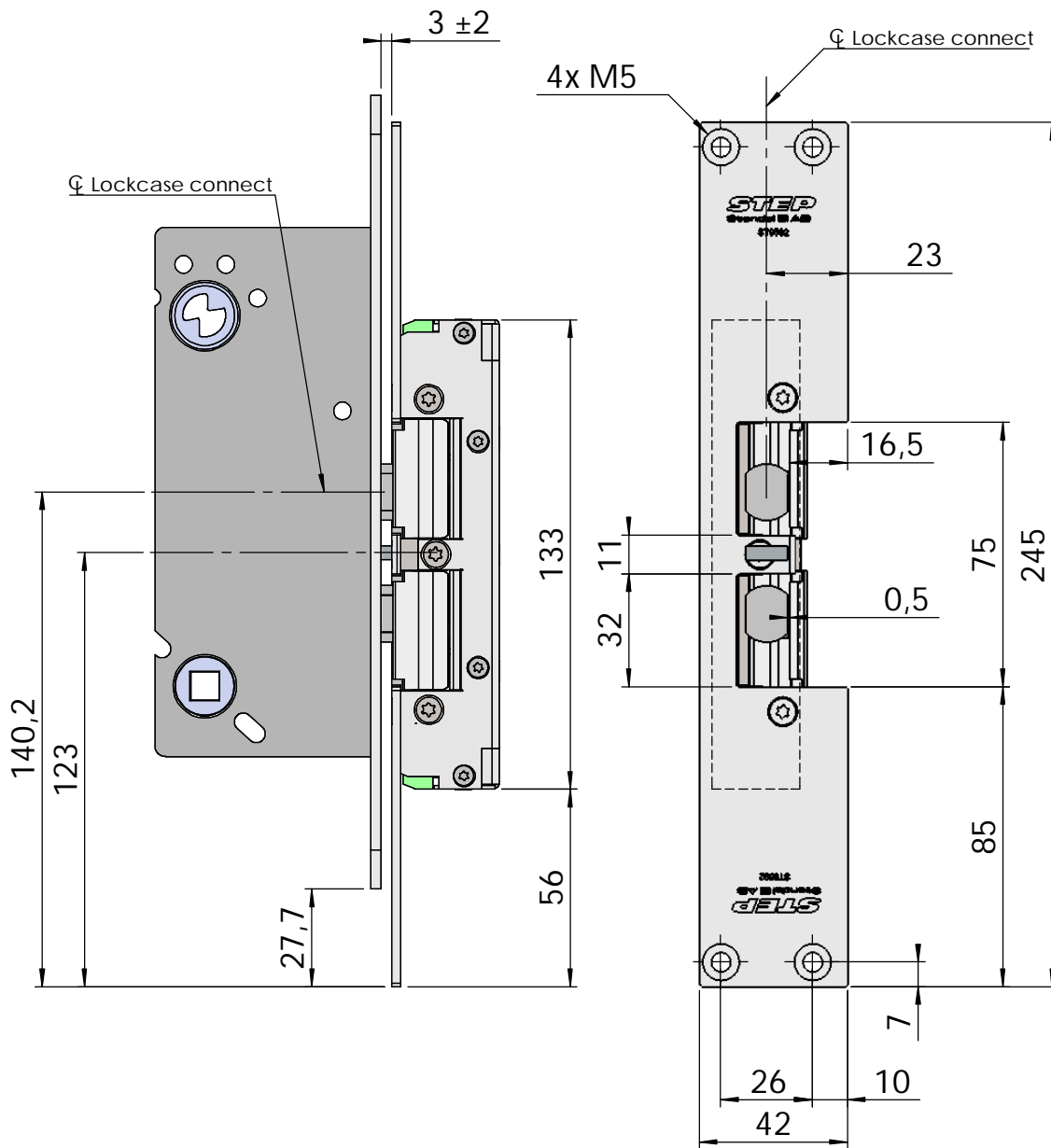
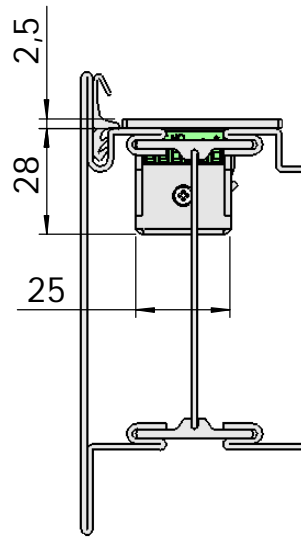




Montering för Connect

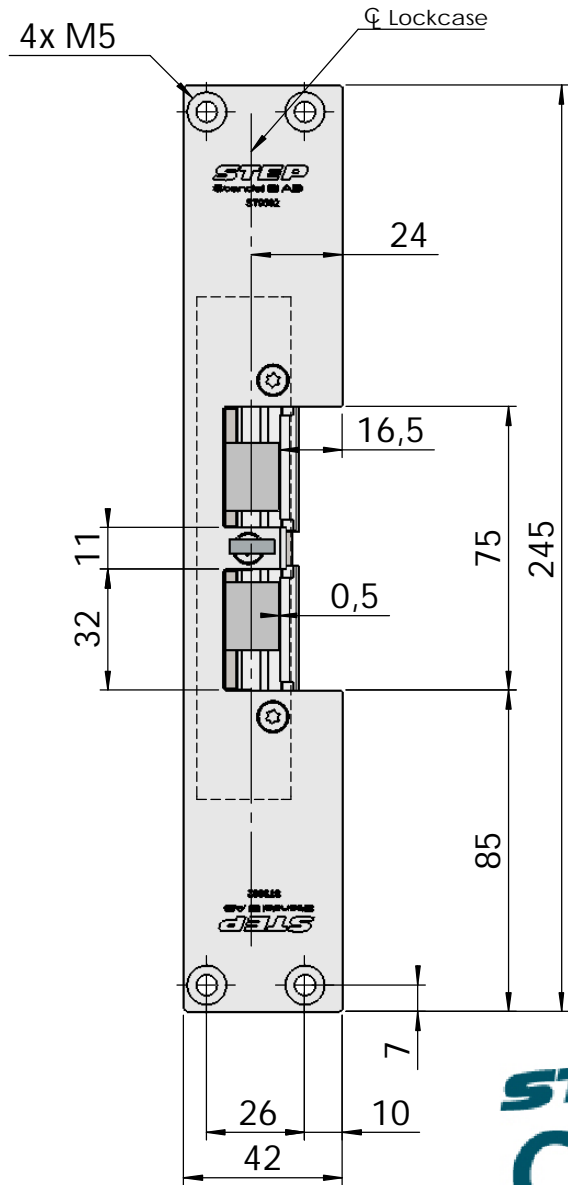
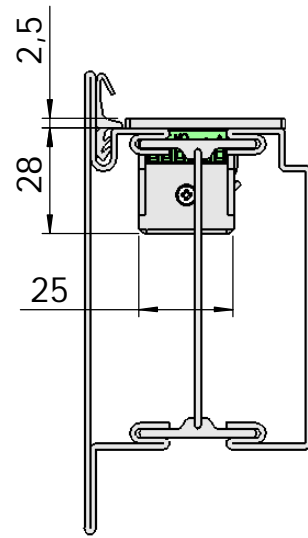
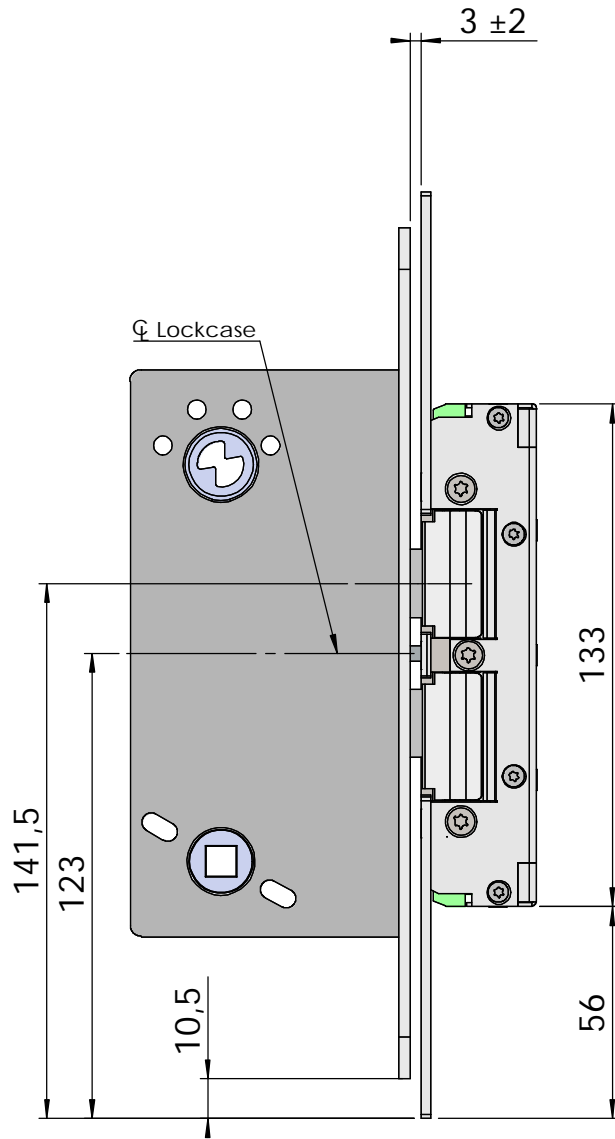


This document shall not be copied without owners written allowance and its content shall not be exposed for third part nor be used for unauthorized purpose.

A Owner Stendals EI AB	Title/Description Stolpe STEP 92 för Janisol 2. Plös 16,5mm Montering för Connect
Drawing no. ST9592	Scale 1:2



Montering för Modul



This document shall not be copied without owners written allowance and its content shall not be exposed for third part nor be used for unauthorized purpose.

Owner
Stendals EI AB

Title/Description
**Stolpe STEP 92 för Janisol 2. Plös 16,5mm
Montering för Modul**

Drawing no.
ST9592

Scale
1:2