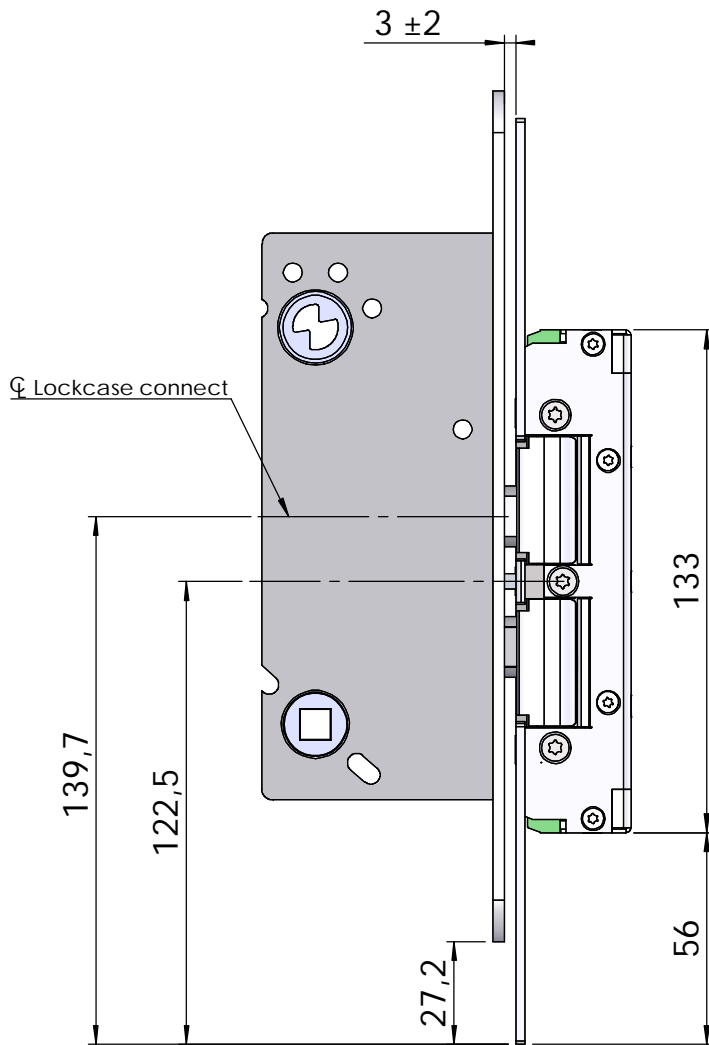
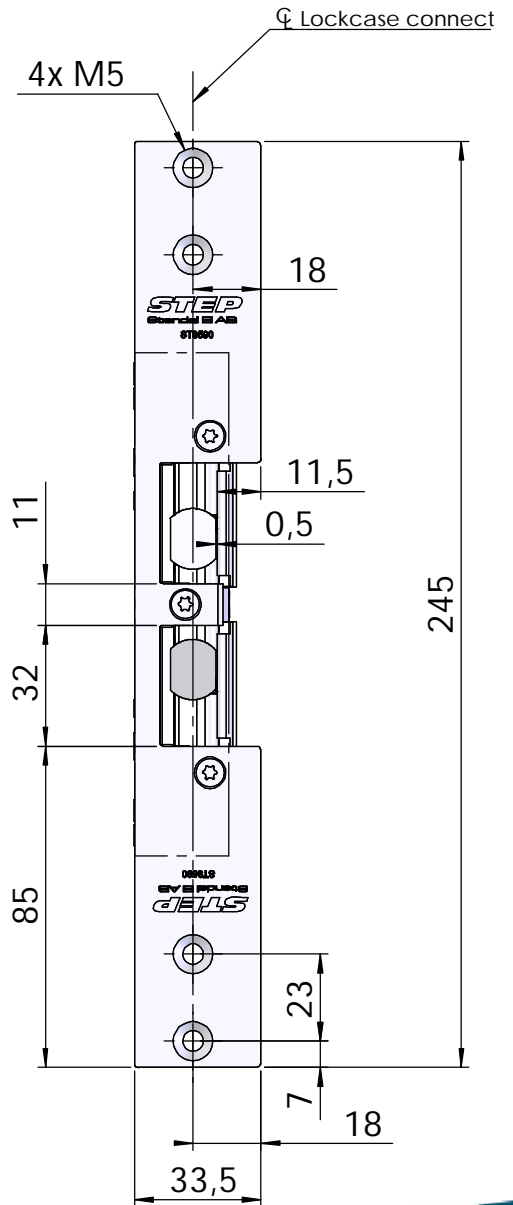
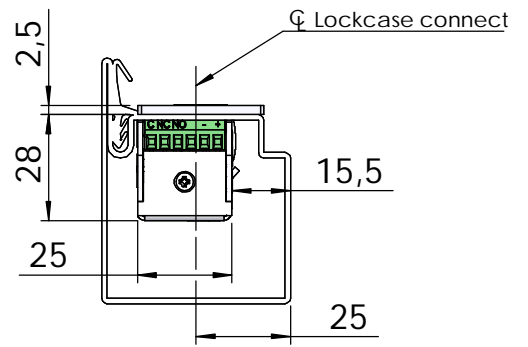




# Montering für Connect

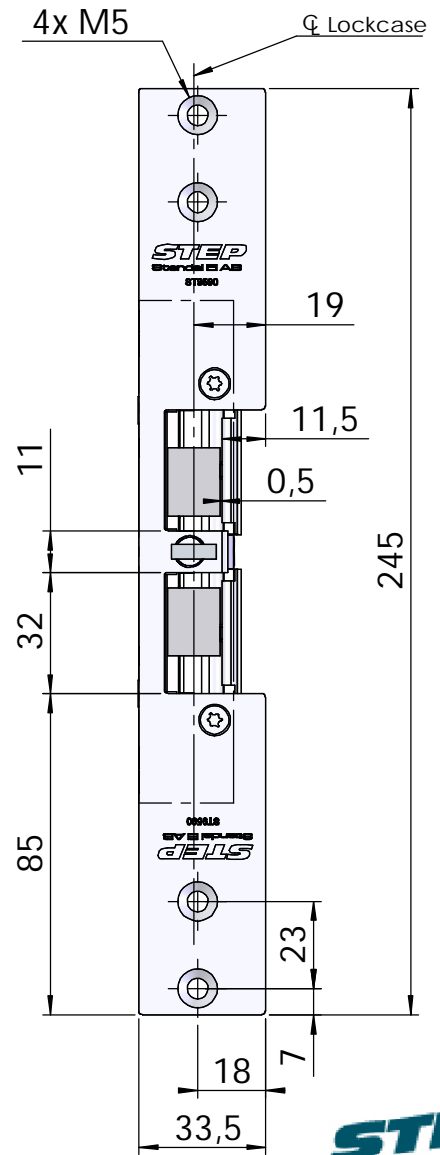
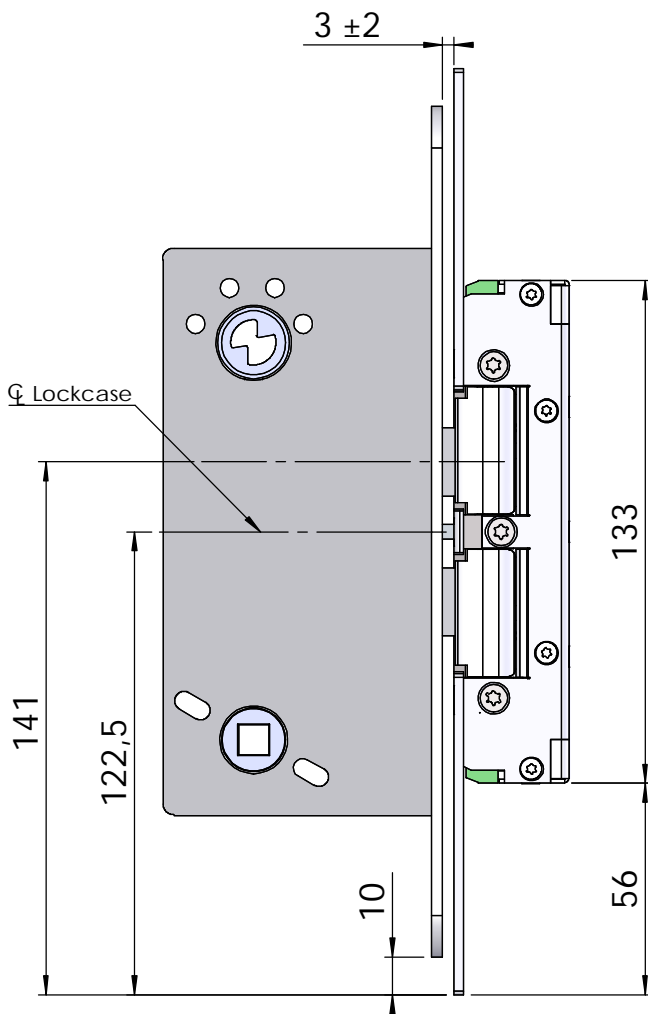
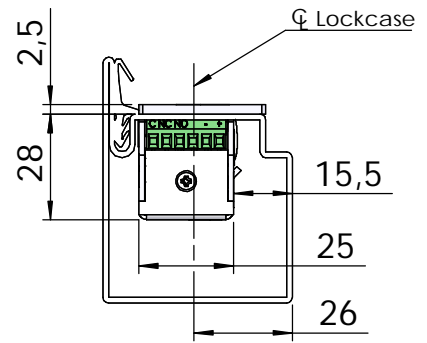


This document shall not be copied without owners written allowance and its content shall not be exposed for third part nor be used for unauthorized purpose.

<p>Owner</p> <p><b>Stendals EI AB</b></p>	<p>Title/Description</p> <p><b>Stolpe Step 92 für Economy 50. Plös 11,5mm Montering für Connect</b></p>
	<p>Drawing no.</p> <p><b>ST9590</b></p> <p style="text-align: right;">Scale</p> <p style="text-align: right;"><b>1:2</b></p>



# Montering för Modul



This document shall not be copied without owners written allowance and its content shall not be exposed for third part nor be used for unauthorized purpose.

<p>Owner</p> <h2>Stendals EI AB</h2>	<p>Title/Description</p> <h3>Stolpe Step 92 för Economy 50. Plös 11,5mm Montering för Modul</h3>
	<p>Drawing no. <b>ST9590</b></p> <p style="text-align: right;">Scale <b>1:2</b></p>