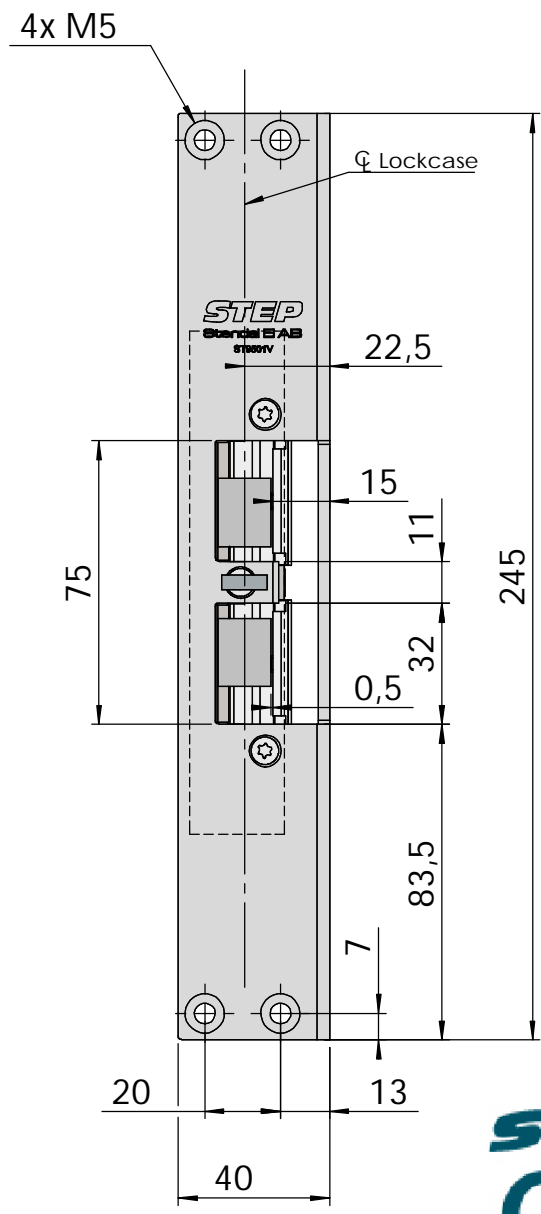
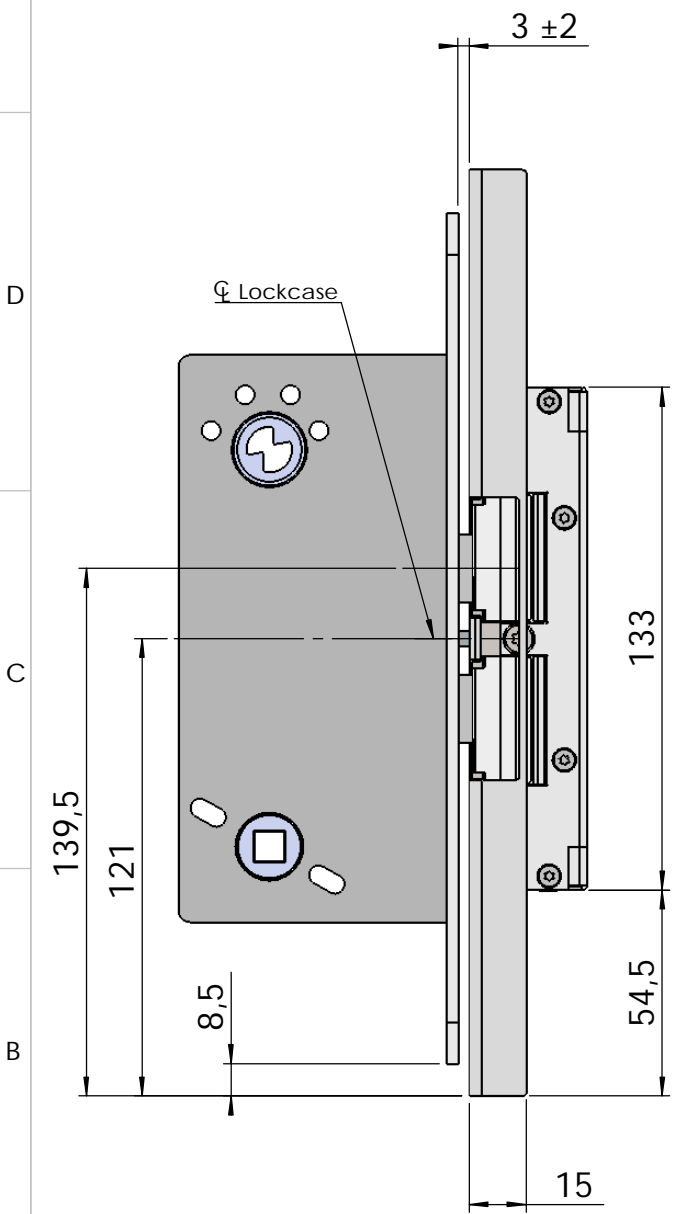
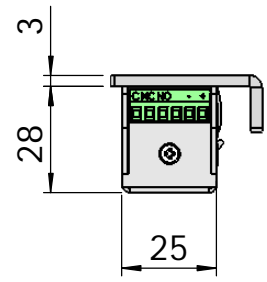




# Montering för Modul



This document shall not be copied without owners written allowance and its content shall not be exposed for third part nor be used for unauthorized purpose.



<p>Owner</p> <p><b>Stendals EI AB</b></p>	<p>Title/Description</p> <p><b>Stolpe motsv ST9501V Connect till Modul Montering för Modul</b></p>
<p>Drawing no.</p> <p><b>ST9560V</b></p>	<p>Scale</p> <p><b>1:2</b></p>

4

3

2

1