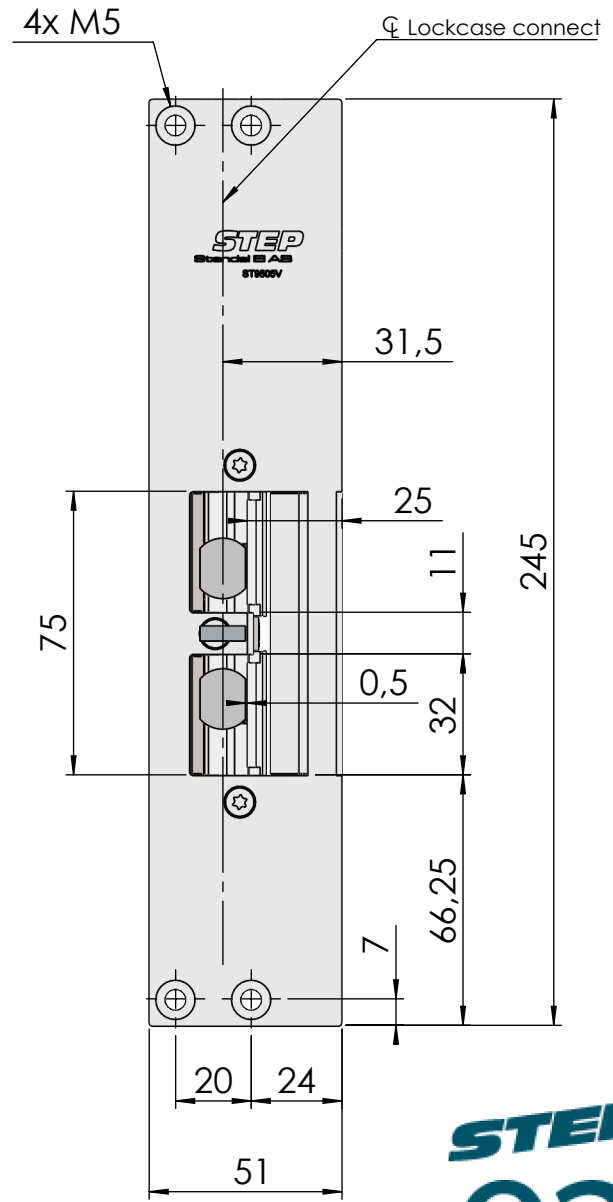
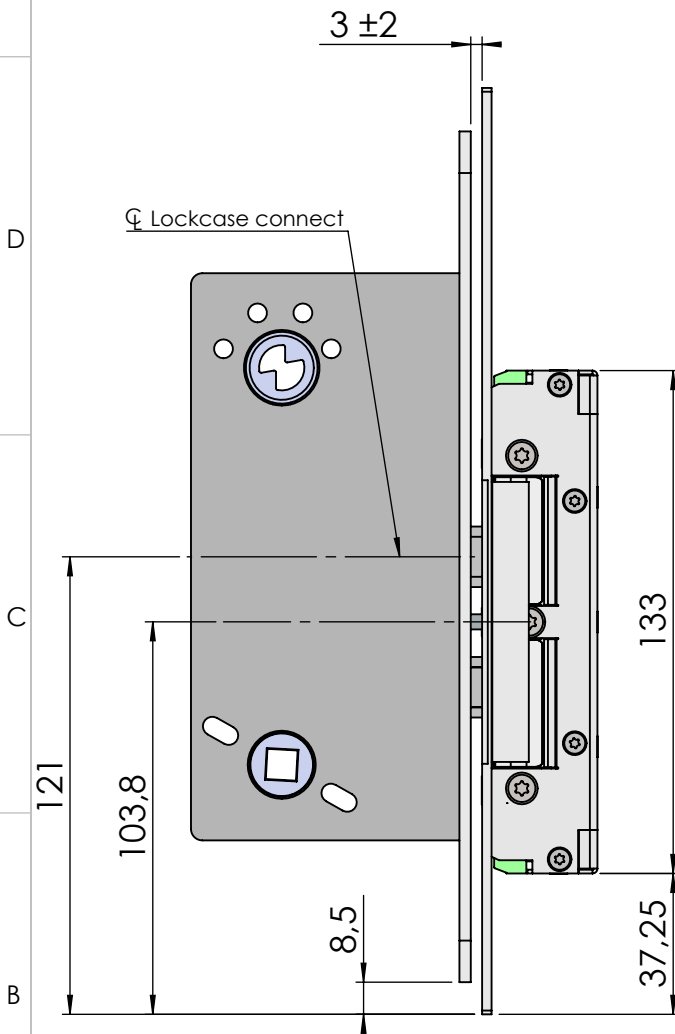
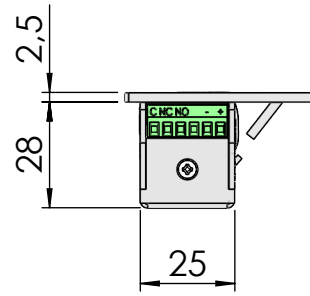




Montering för Connect



This document shall not be copied without owners written allowance and its content shall not be exposed for third part nor be used for unauthorized purpose.

Owner
Stendals EI AB

Title/Description
**STEP 92 med plan stolpe plös 25mm
Montering för Connect**

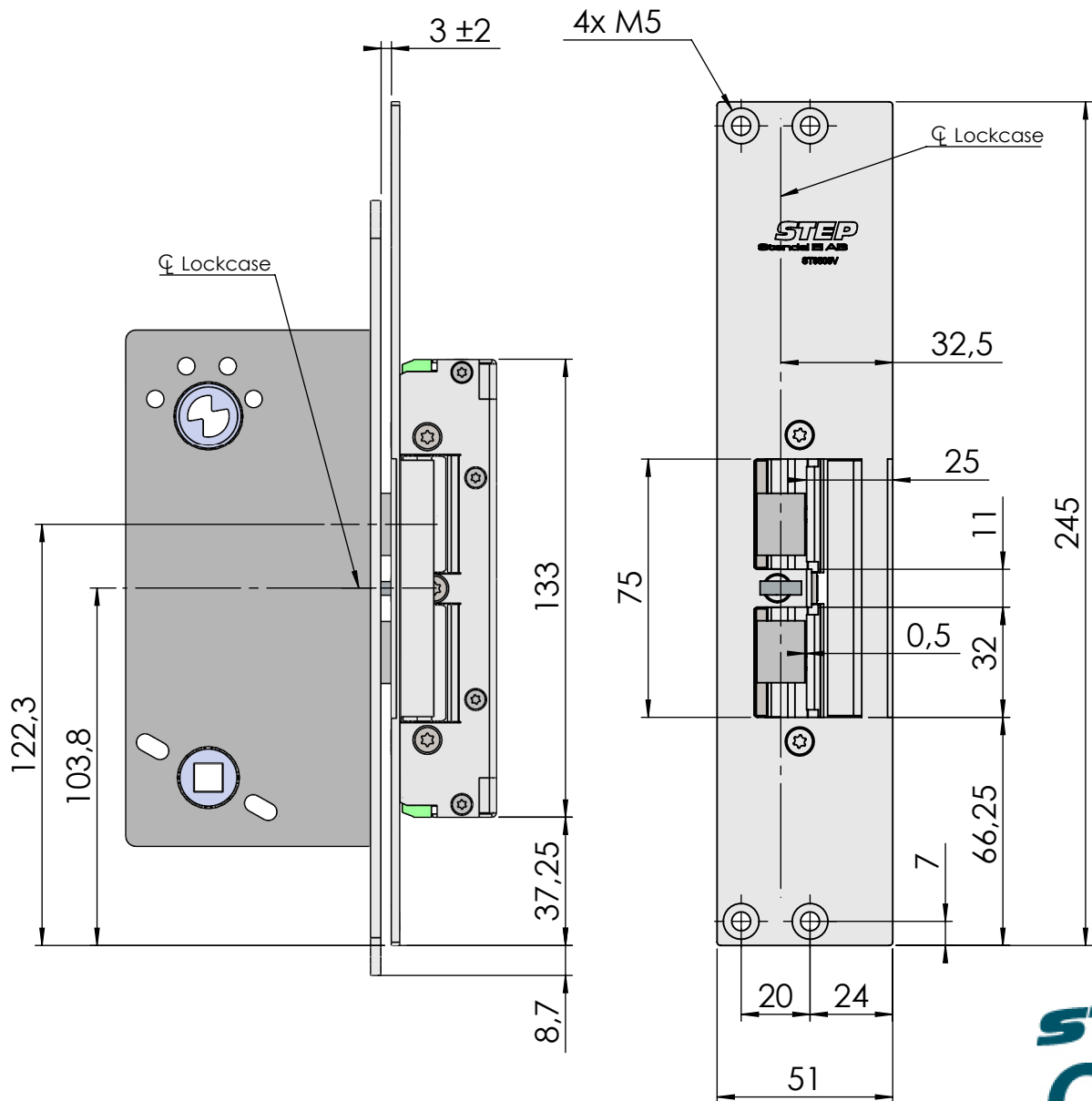
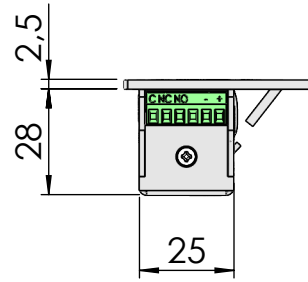
Drawing no. **ST9505V**

Scale
1:2





Montering för Modul



This document shall not be copied without owners written allowance and its content shall not be exposed for third part nor be used for unauthorized purpose.

Owner

Stendals EI AB

Title/Description

STEP 92 med plan stolpe plös 25mm
Montering för Modul

Drawing no.

ST9505V

Scale

1:2