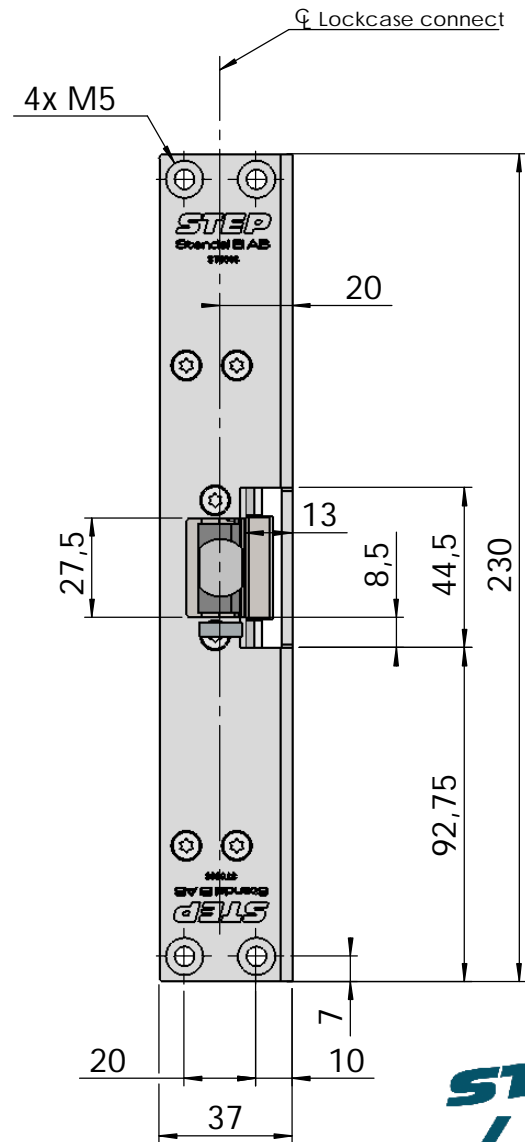
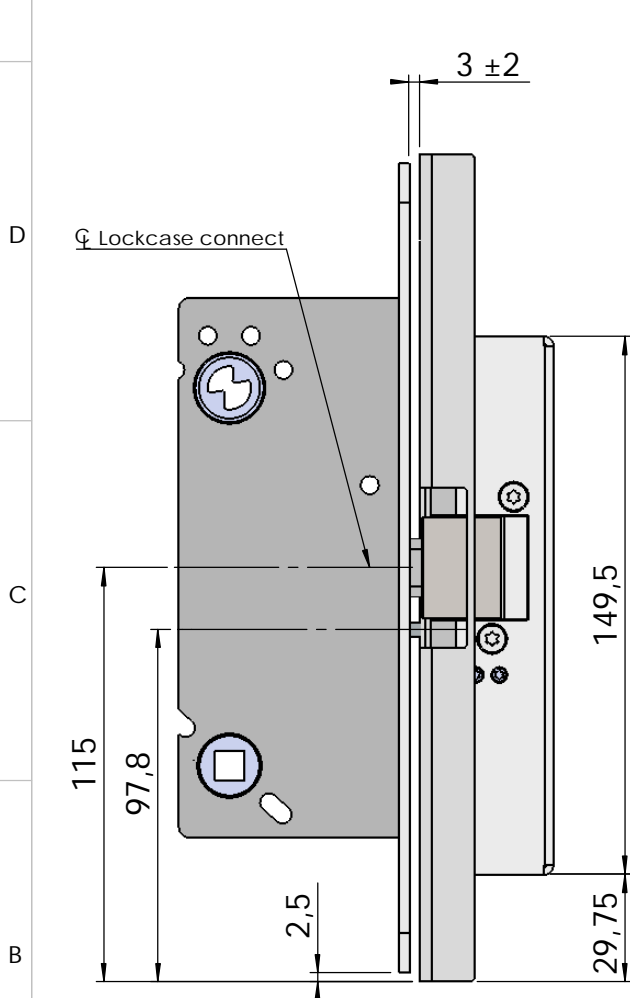
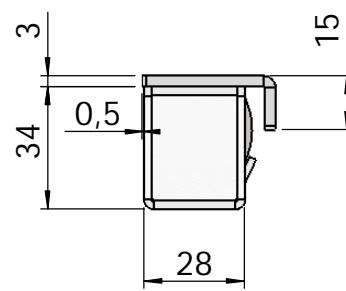




Montering för Connect

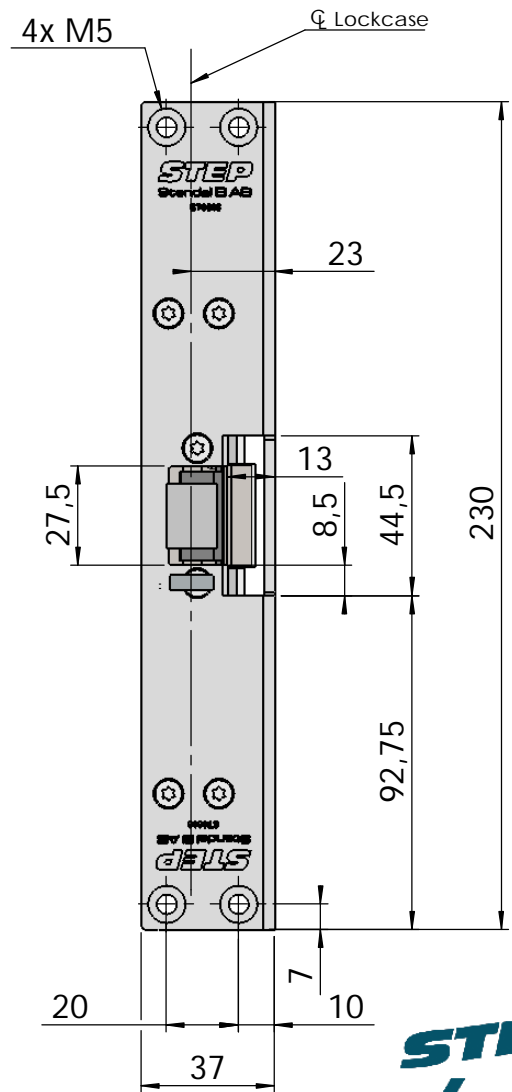
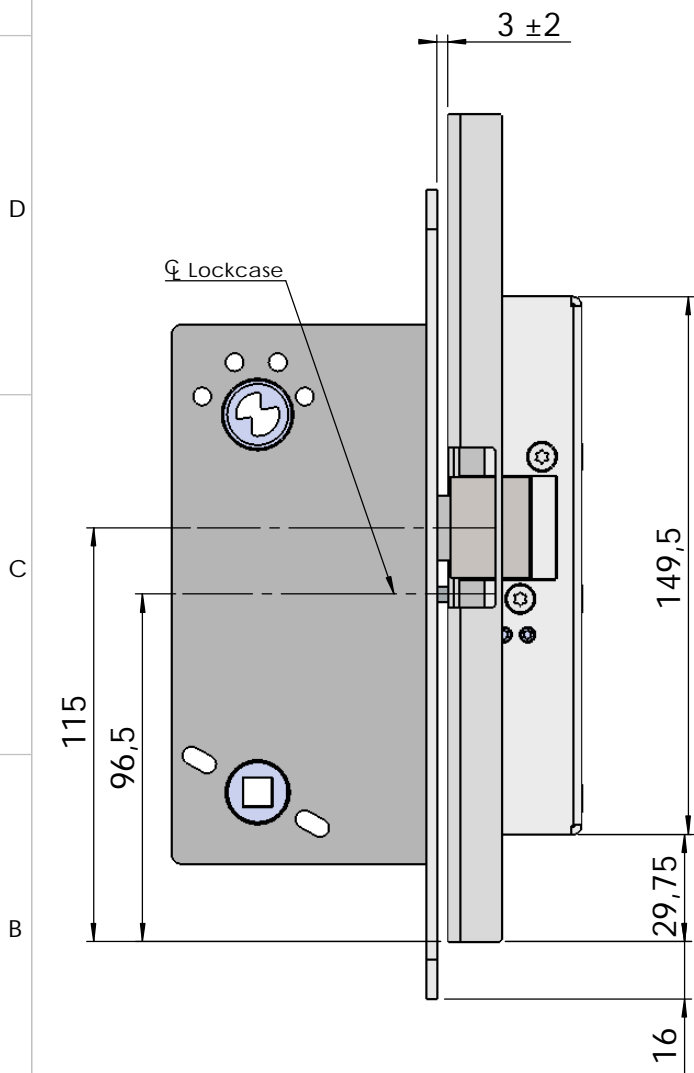
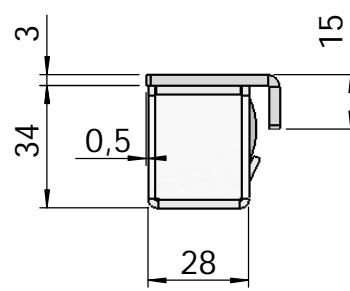


This document shall not be copied without owners written allowance and its content shall not be exposed for third part nor be used for unauthorized purpose.

<p>Owner</p> <h2>Stendals EI AB</h2>	<p>Title/Description</p> <p>STEP 60 med vinklad stolpe plös 13mm Montering för Connect</p>	<p>Scale</p> <p>1:2</p>
<p>Drawing no.</p> <p>ST6608</p>		



Montering för Modul



This document shall not be copied without owners written allowance and its content shall not be exposed for third part nor be used for unauthorized purpose.

Owner	Stendals EI AB
-------	----------------

Title/Description	STEP 60 med vinklad stolpe plös 13mm Montering för Modul
Drawing no.	ST6608
Scale	1:2