



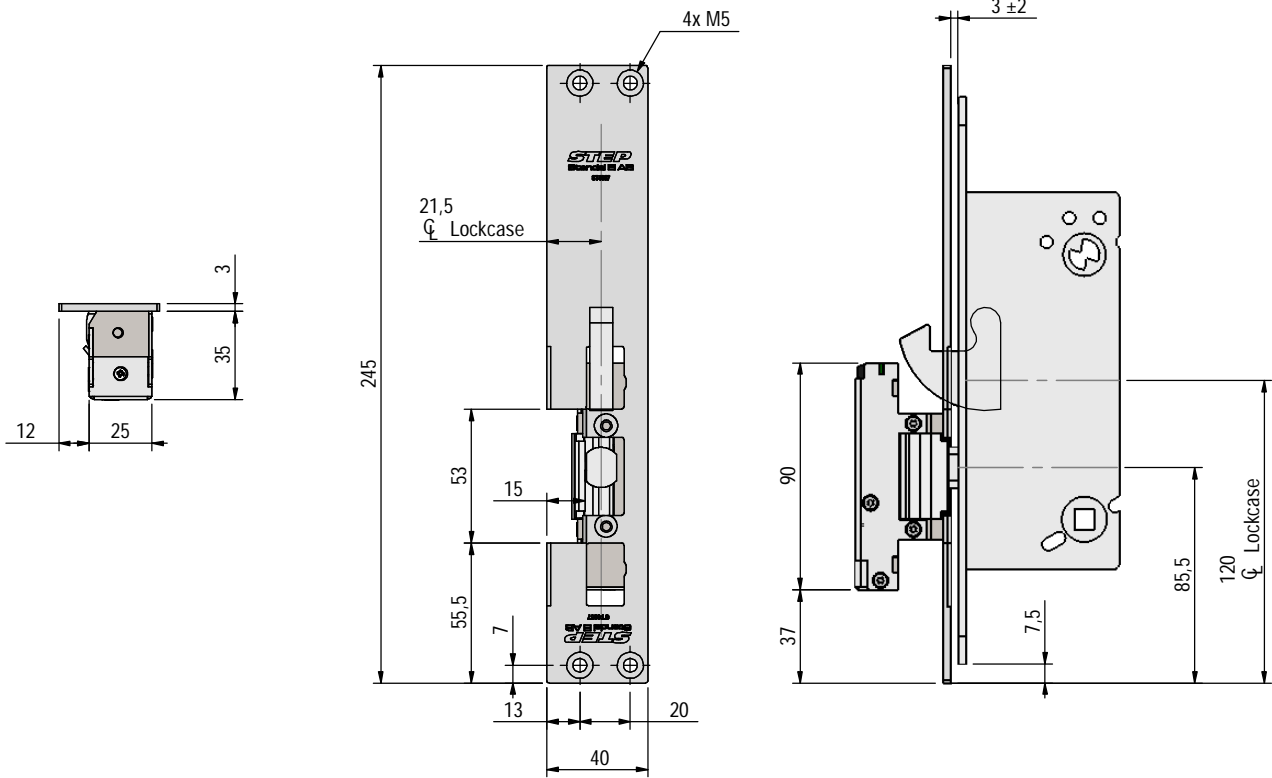
# ST4857

Flat faceplate 245x40, Right  
Lip width 15 mm

Scale  
1:3

STEP 48 Preload  
STEP 98 Preload

ASSA Connect



STEP 48 Preload  
STEP 98 Preload

ASSA Modular

