



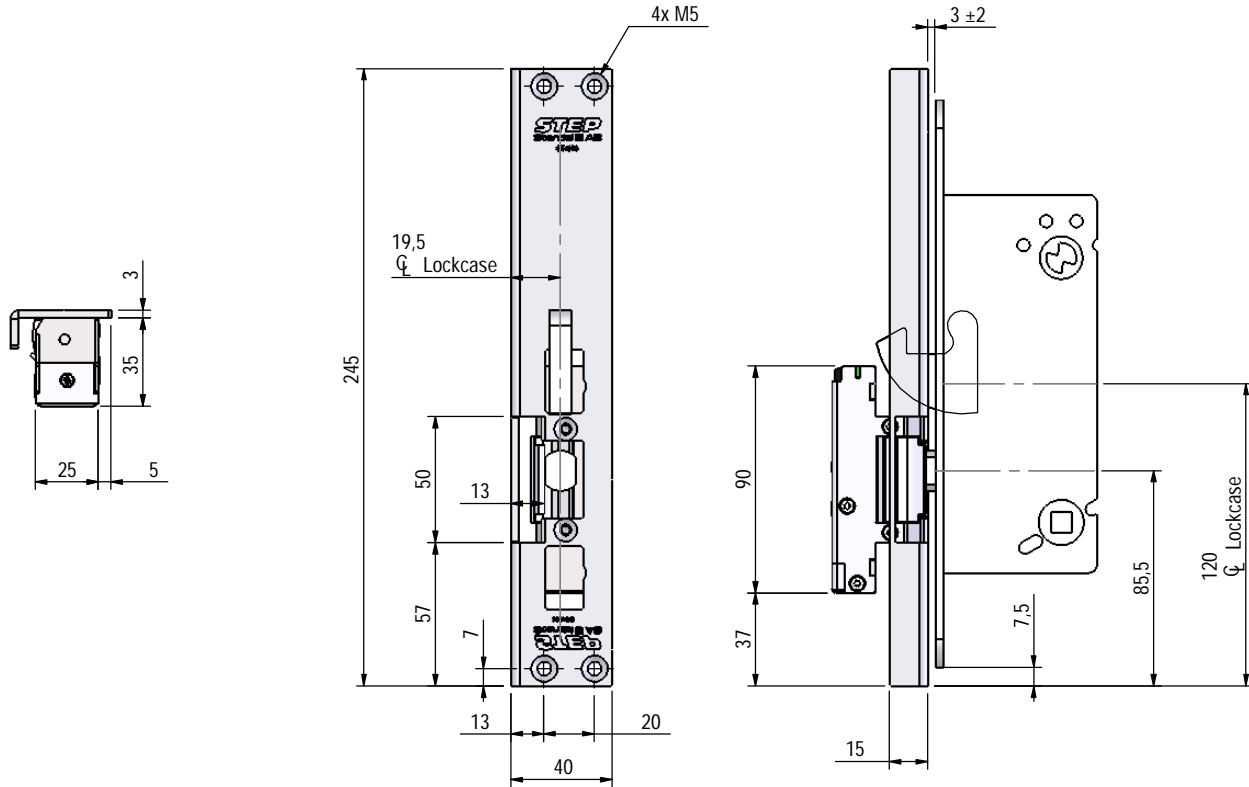
ST4856

Angled faceplate 245x40x15, Right
Lip width 13 mm

Scale
1:3

STEP 48 Preload
STEP 98 Preload

ASSA Connect



STEP 48 Preload
STEP 98 Preload

ASSA Modular

