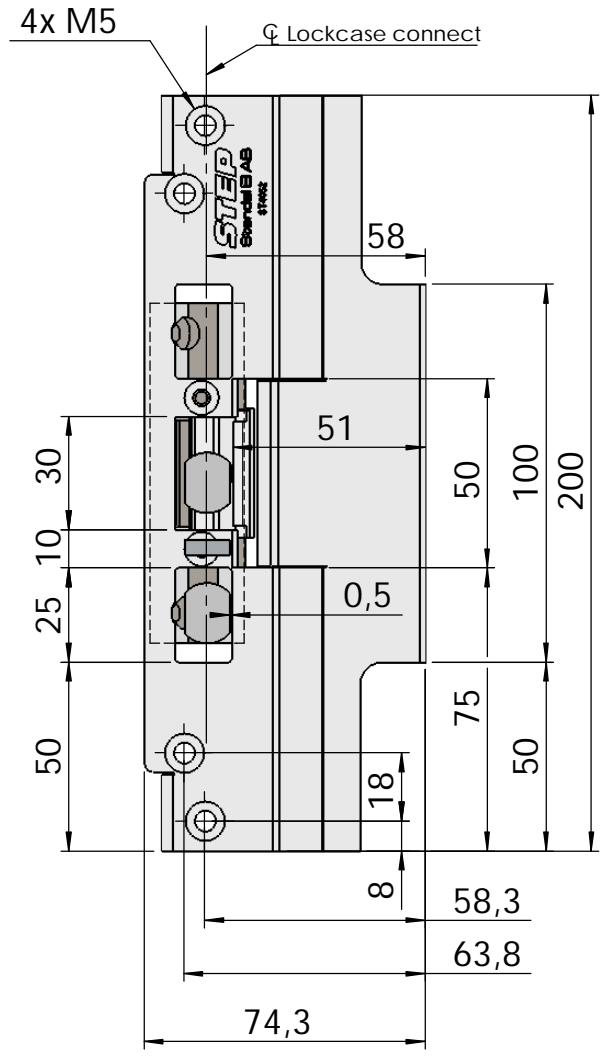
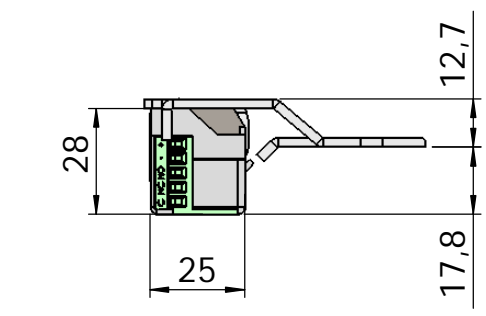
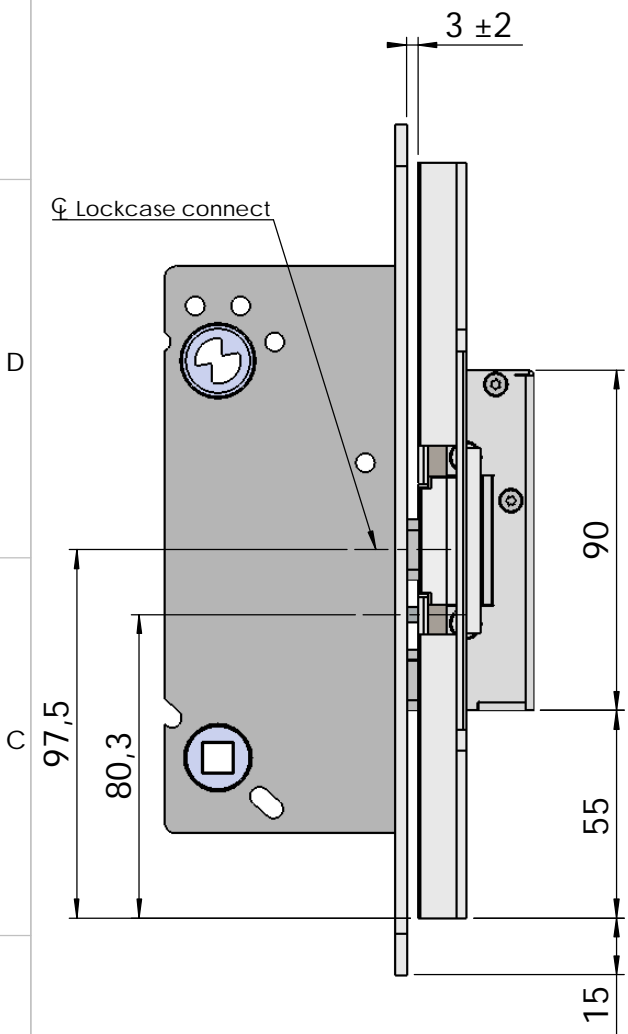




Montering för Connect



This document shall not be copied without owners written allowance and its content shall not be exposed for third part nor be used for unauthorized purpose.

A Owner
Stendals EI AB

Title/Description
STEP 40 med plan stolpe plös 51mm
Montering för Connect

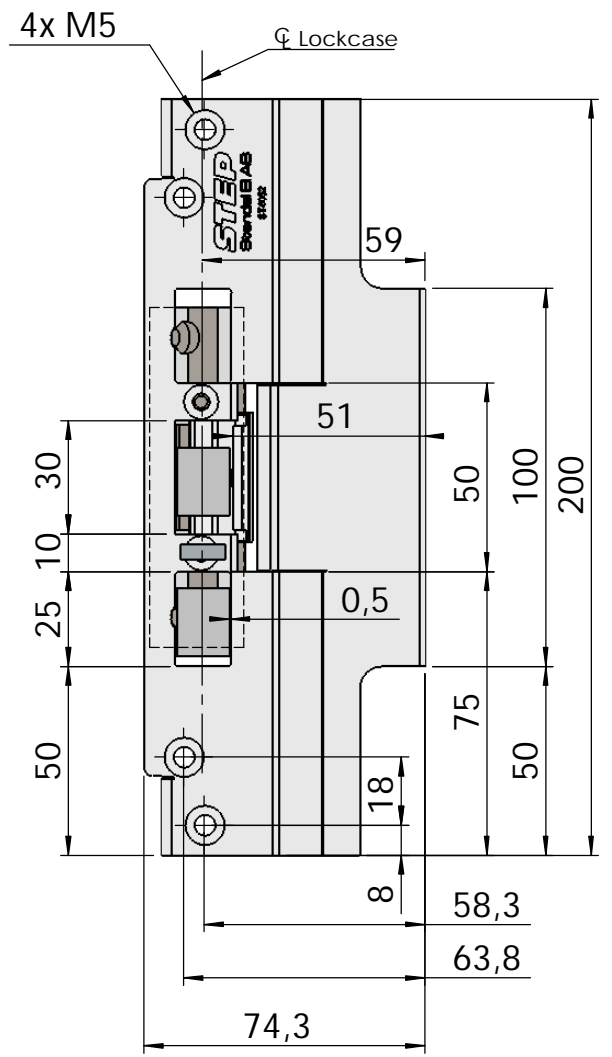
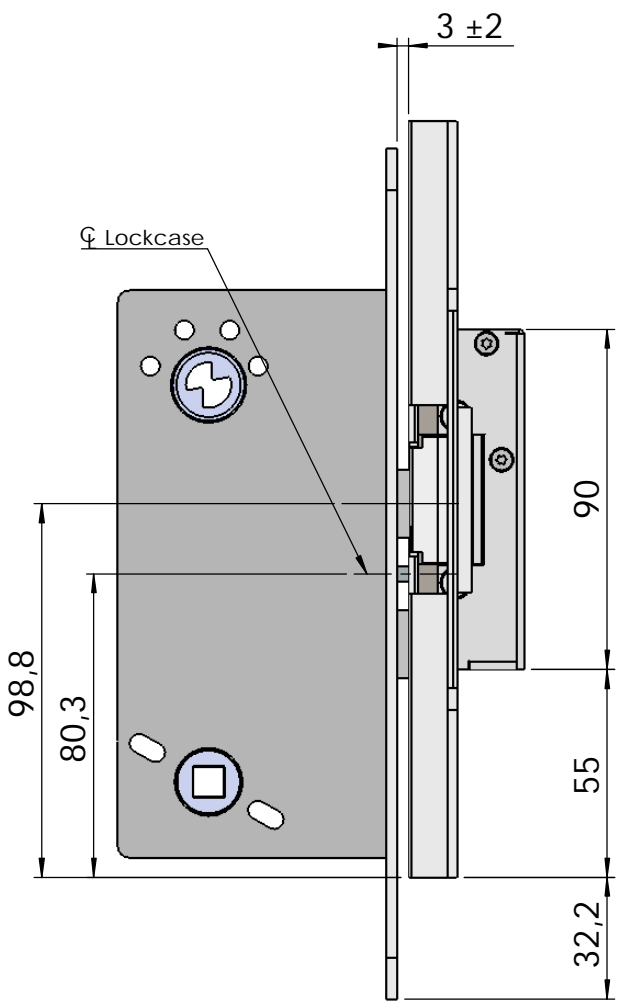
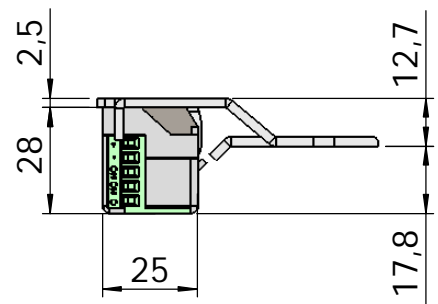
Drawing no. **ST4052**

Scale
1:2





Montering för Modul



This document shall not be copied without owners written allowance and its content shall not be exposed for third part nor be used for unauthorized purpose.

Stendals EI AB

Title/Description
STEP 40 med plan stolpe plös 51mm
Montering för Modul

Drawing no. **ST4052**

Scale
1:2

