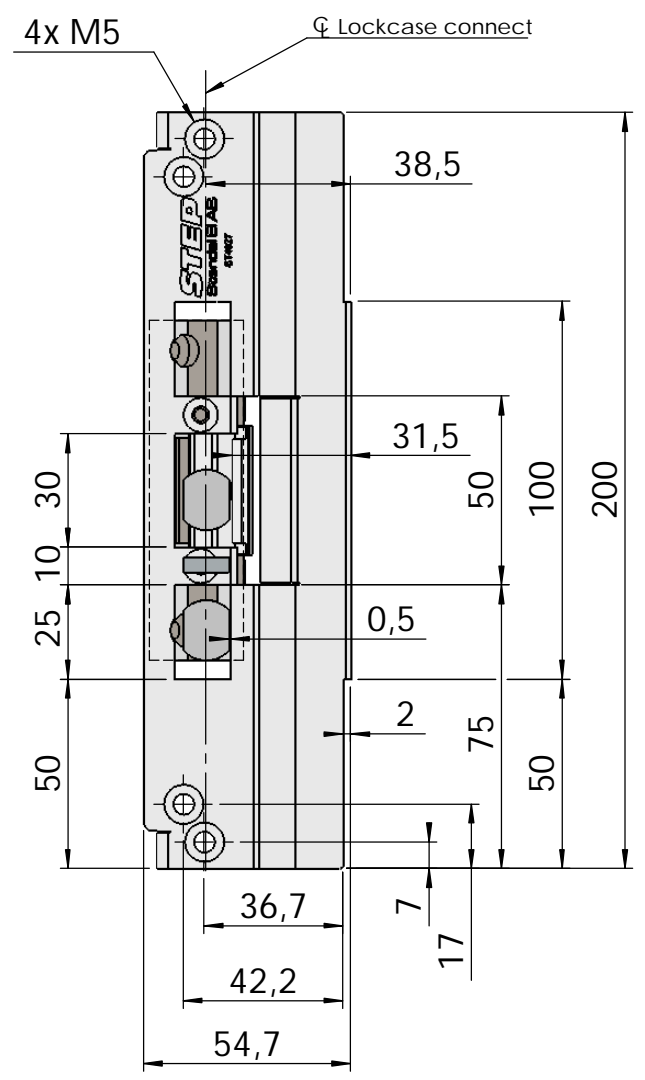
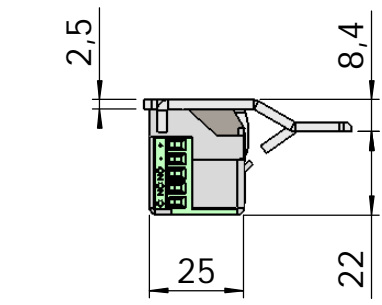
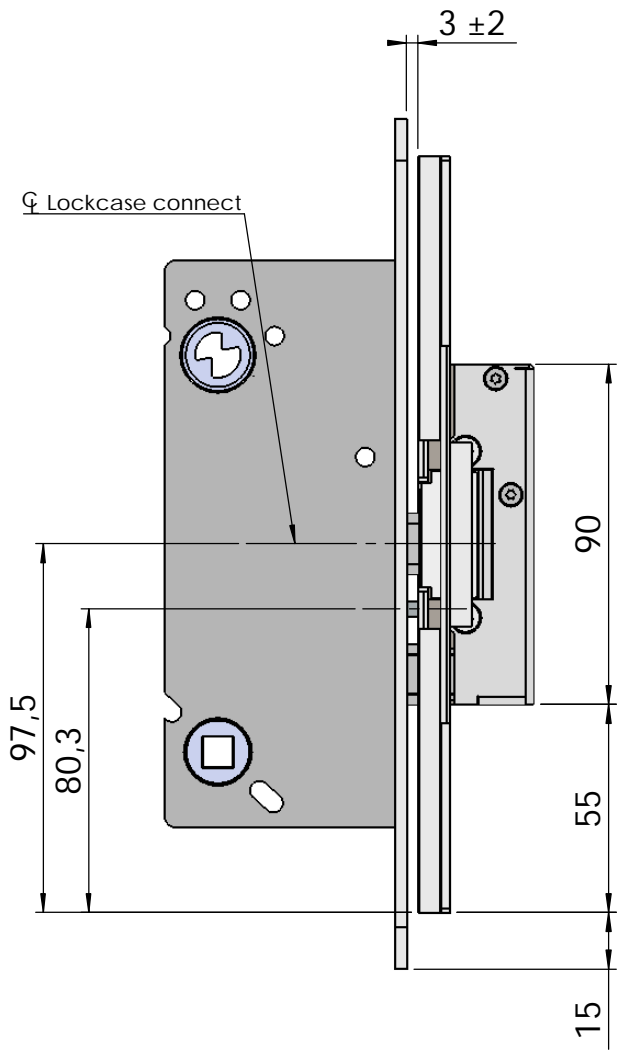




Montering för Connect

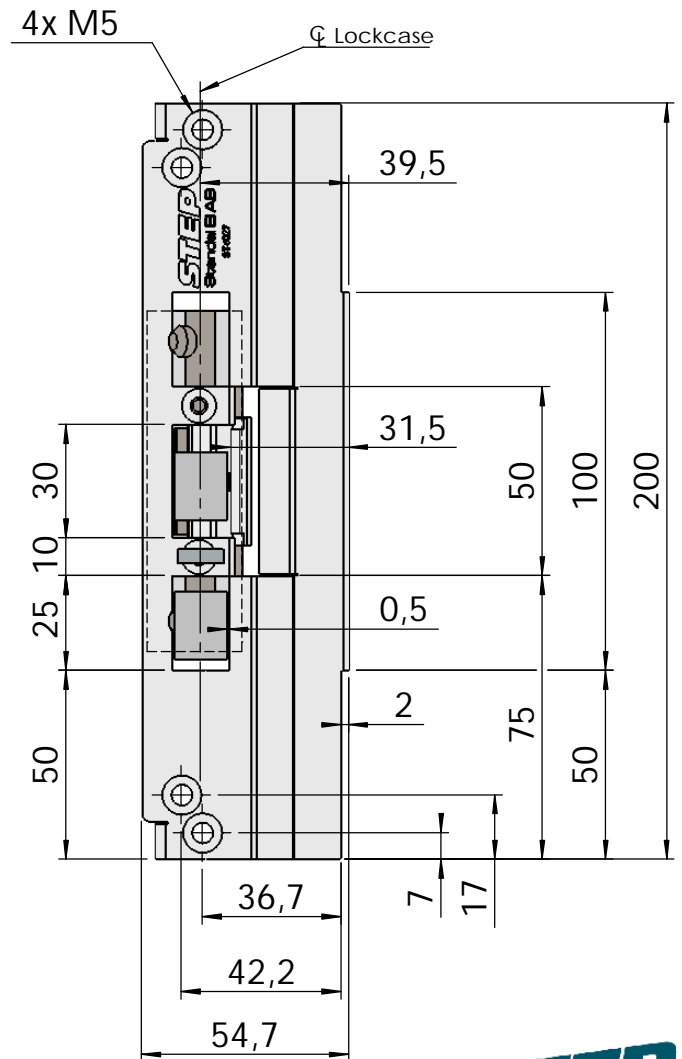
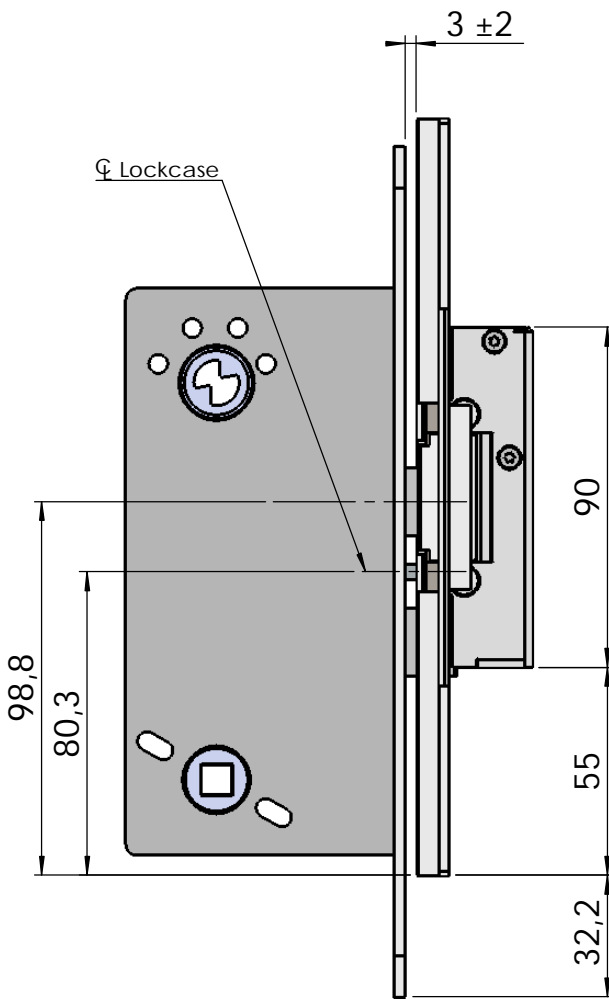
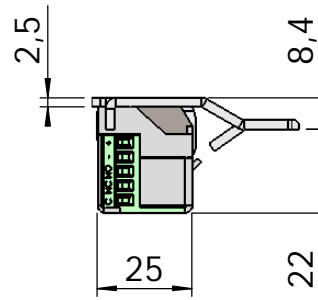


This document shall not be copied without owners written allowance and its content shall not be exposed for third part nor be used for unauthorized purpose.

Owner Stendals EI AB	Title/Description STEP 40 med bockad stolpe plös 31,5mm Montering för Connect Drawing no. ST4027 Scale 1:2
--------------------------------	--



Montering för Modul



This document shall not be copied without owners written allowance and its content shall not be exposed for third part nor be used for unauthorized purpose.

A Owner Stendals EI AB	Title/Description STEP 40 med bockad stolpe plös 31,5mm Montering för Modul
Drawing no. ST4027	Scale 1:2