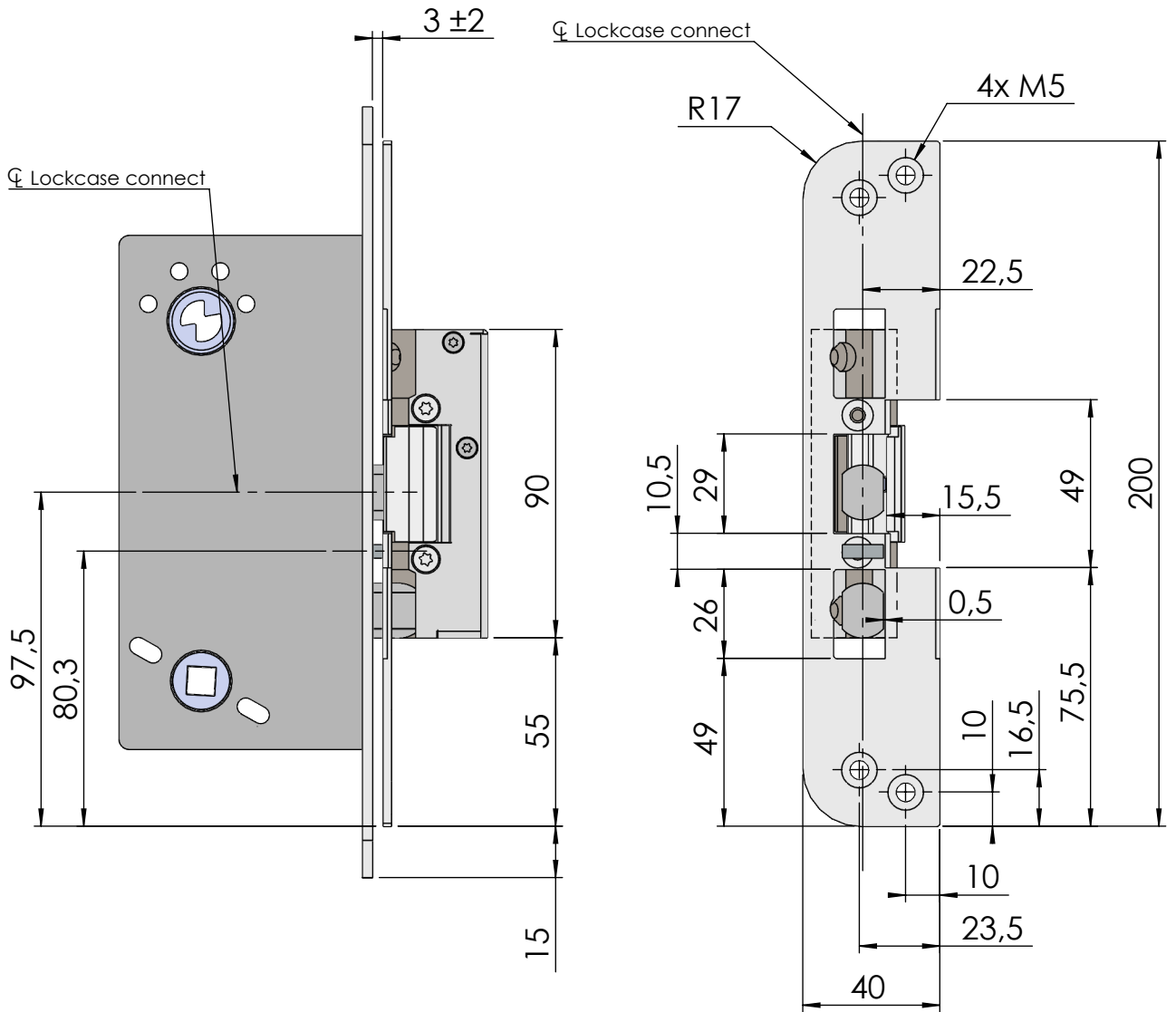
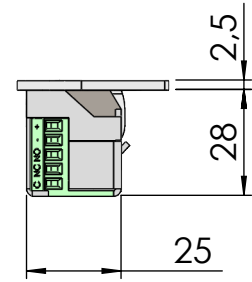




# Montering för Connect



This document shall not be copied without owners written allowance and its content shall not be exposed for third part nor be used for unauthorized purpose.

Owner  
**Stendals EI AB**

Title/Description  
STEP 40 med plan stolpe plös 16mm  
Montering för Connect

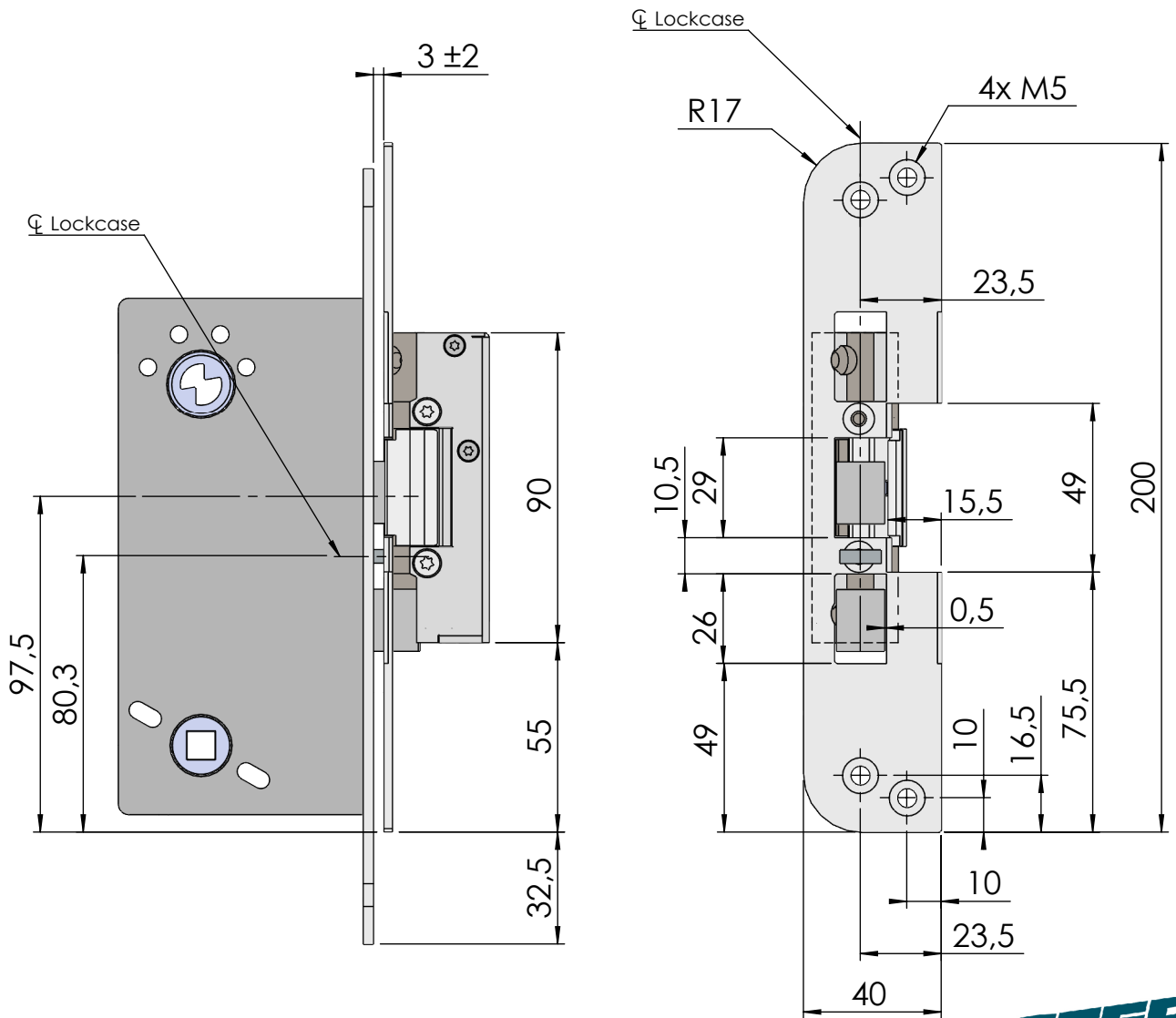
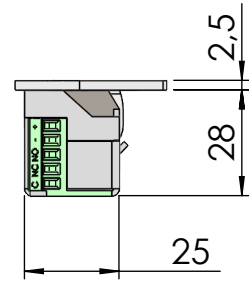
Drawing no.  
ST4009-16

Scale  
1:2

**STEP**  
**40**  
PRELOAD



# Montering för Modul



This document shall not be copied without owners written allowance and its content shall not be exposed for third part nor be used for unauthorized purpose.

Owner <b>Stendals EI AB</b>	Title/Description STEP 40 med plan stolpe plös 16mm Montering för Modul
	Drawing no. <b>ST4009-16</b> Scale <b>1:2</b>