



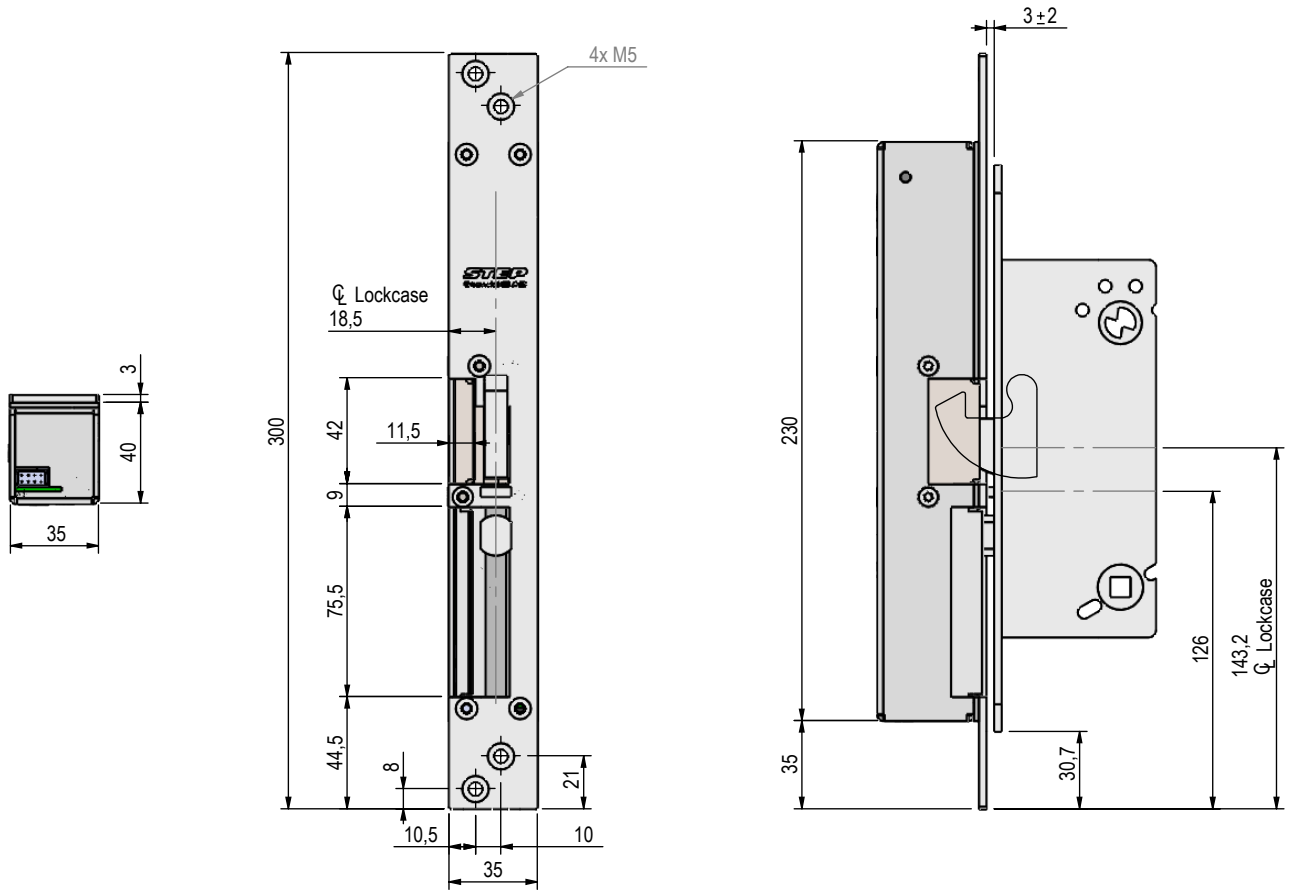
# ST295-B

Flat faceplate 300x35 Right  
Lip width 11,5 mm

Scale  
1:3

STEP 28E Secure

ASSA Connect



STEP 28E Secure

ASSA Modular

