



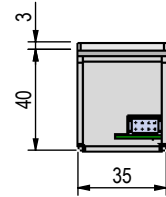
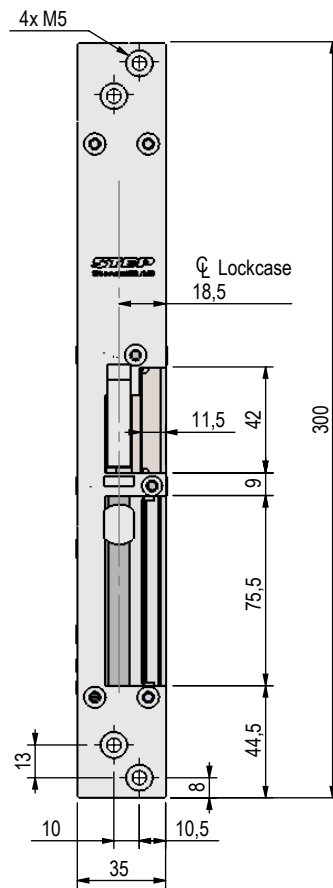
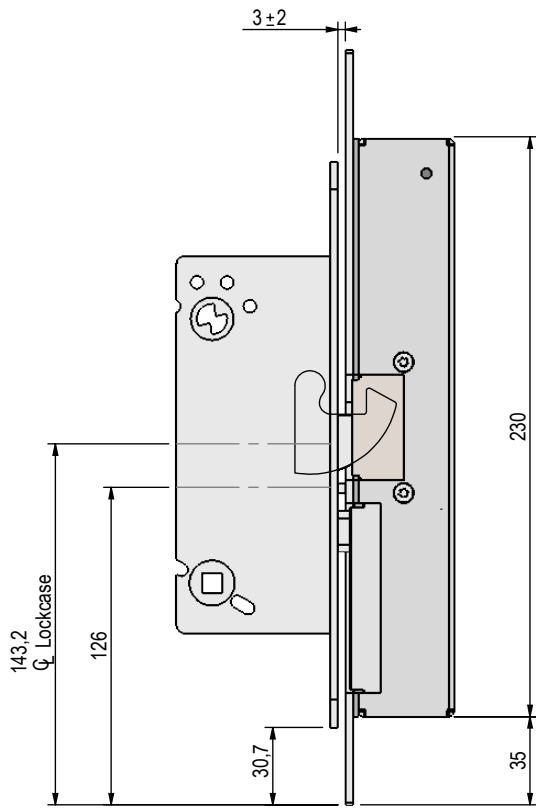
ST295-A

Flat faceplate 300x35 Left
Lip width 11,5 mm

Scale
1:3

STEP 28E Secure

ASSA Connect



STEP 28E Secure

ASSA Modular

