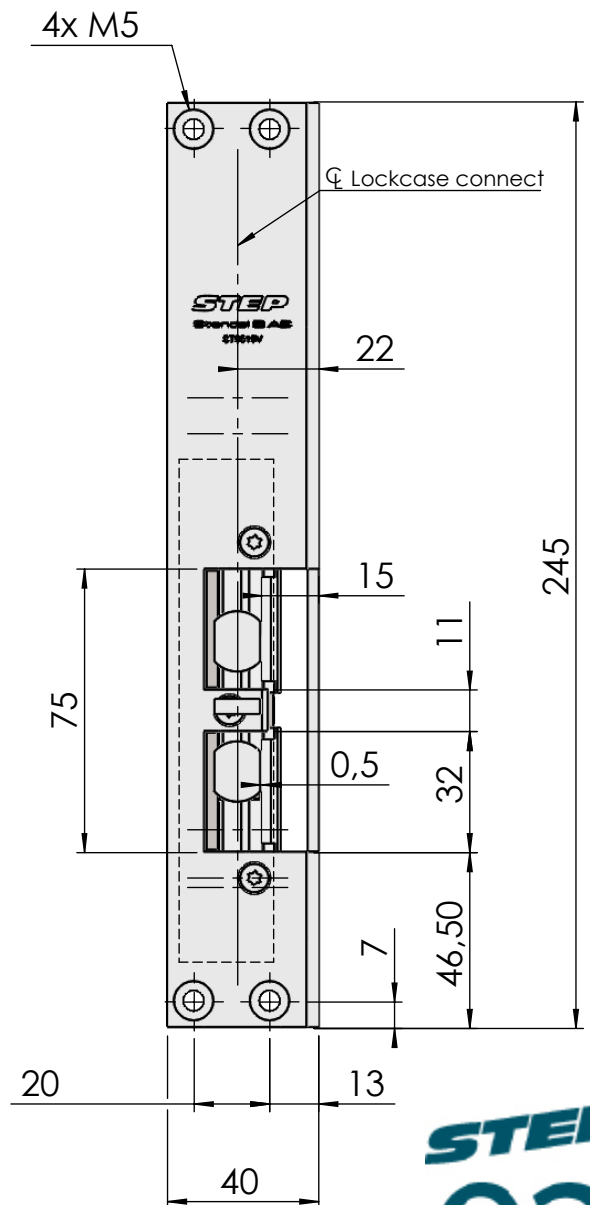
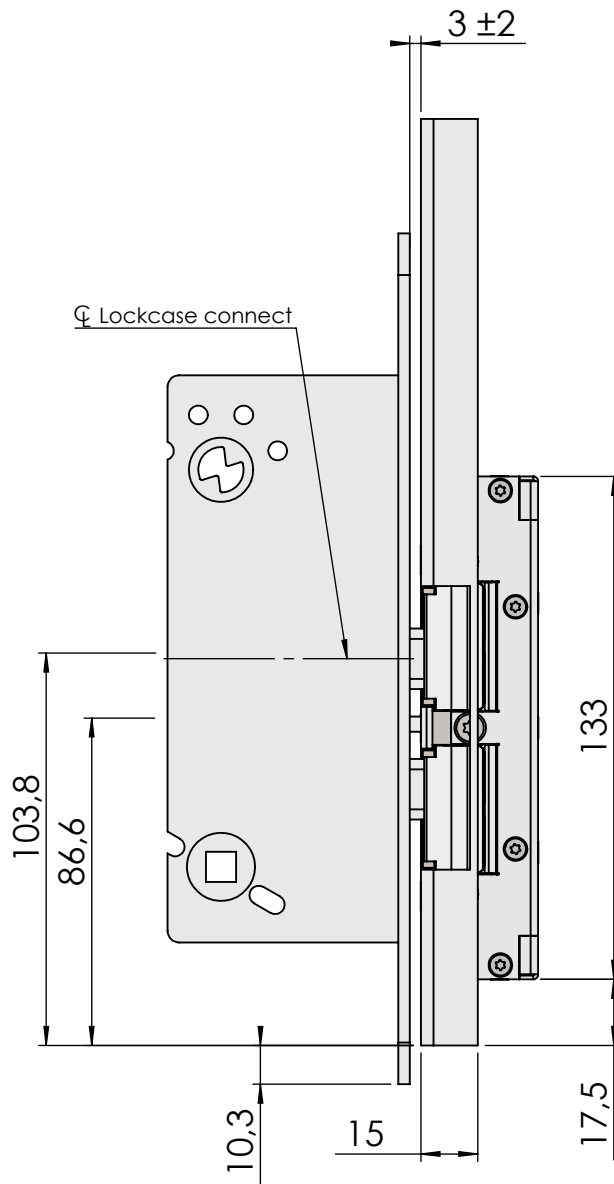
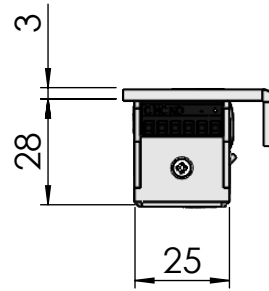




Montering för Connect

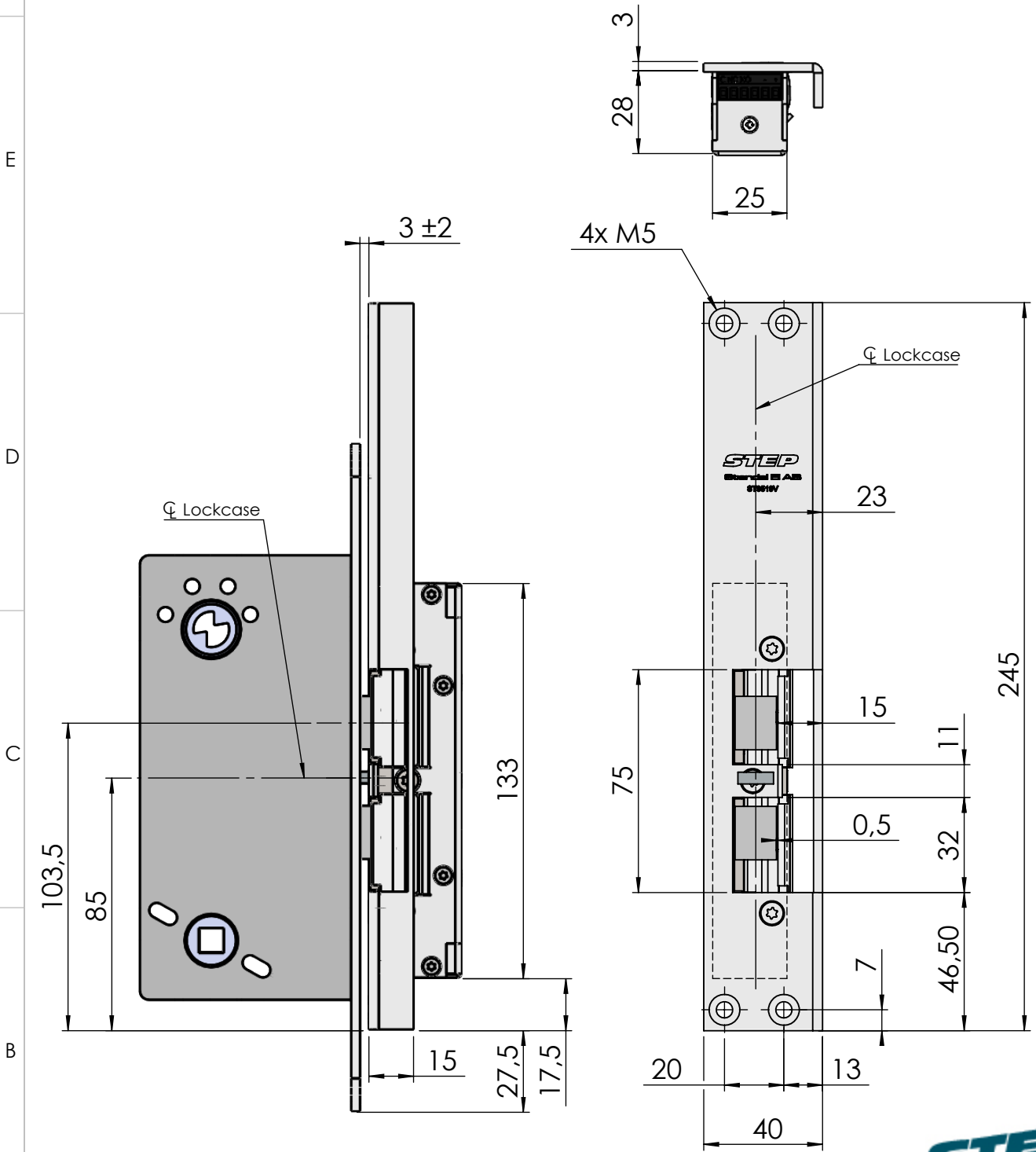


This document shall not be copied without owners written allowance and its content shall not be exposed for third part nor be used for unauthorized purpose.

Owner Stendals El AB	Title/Description STEP 92 med vinklad stolpe plös 15mm Montering för Connect
	Drawing no. ST9519V Scale 1:2



Montering för Modul



This document shall not be copied without owners written allowance and its content shall not be exposed for third part nor be used for unauthorized purpose.

Owner
Stendals El AB

Title/Description
**STEP 92 med vinklad stolpe plös 15mm
Montering för Modul**

Drawing no.
ST9519V

Scale
1:2

