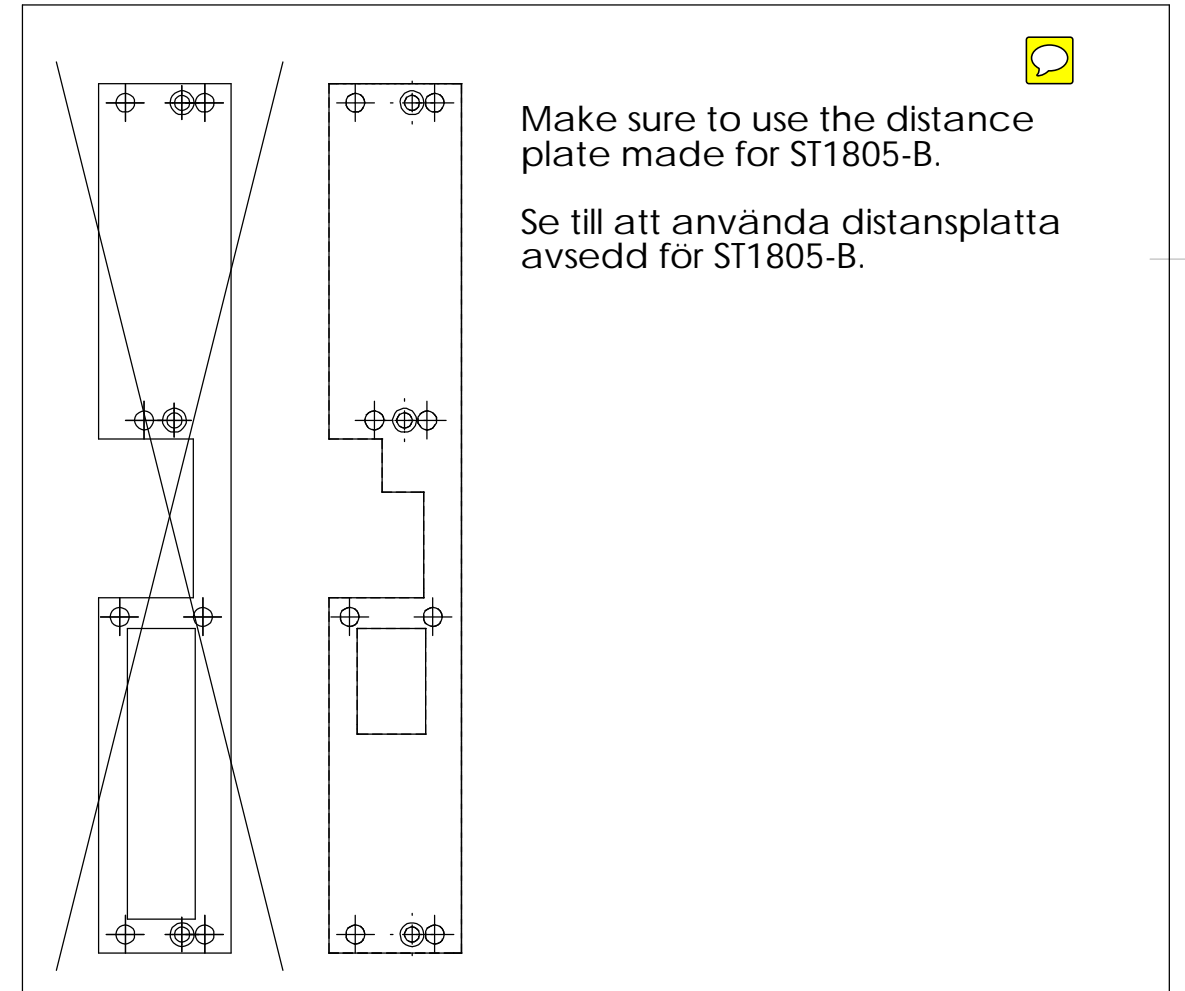
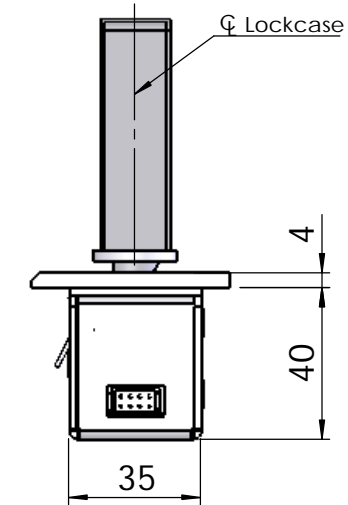
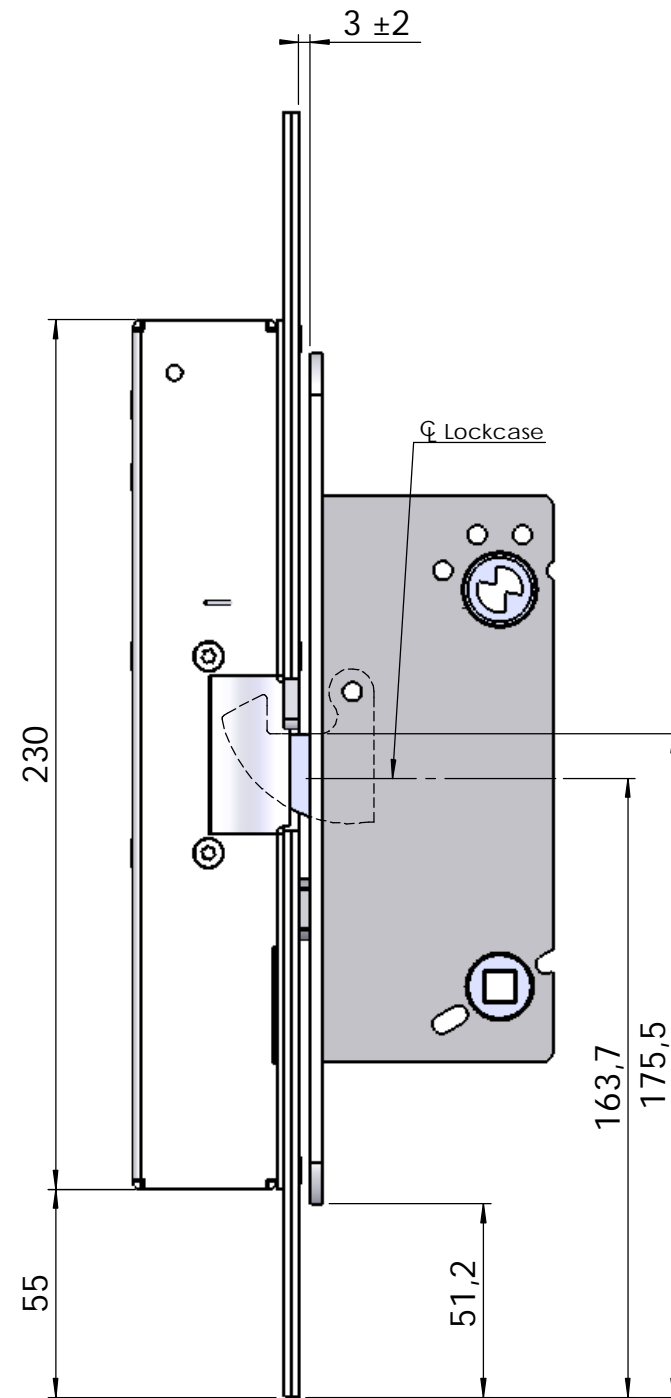
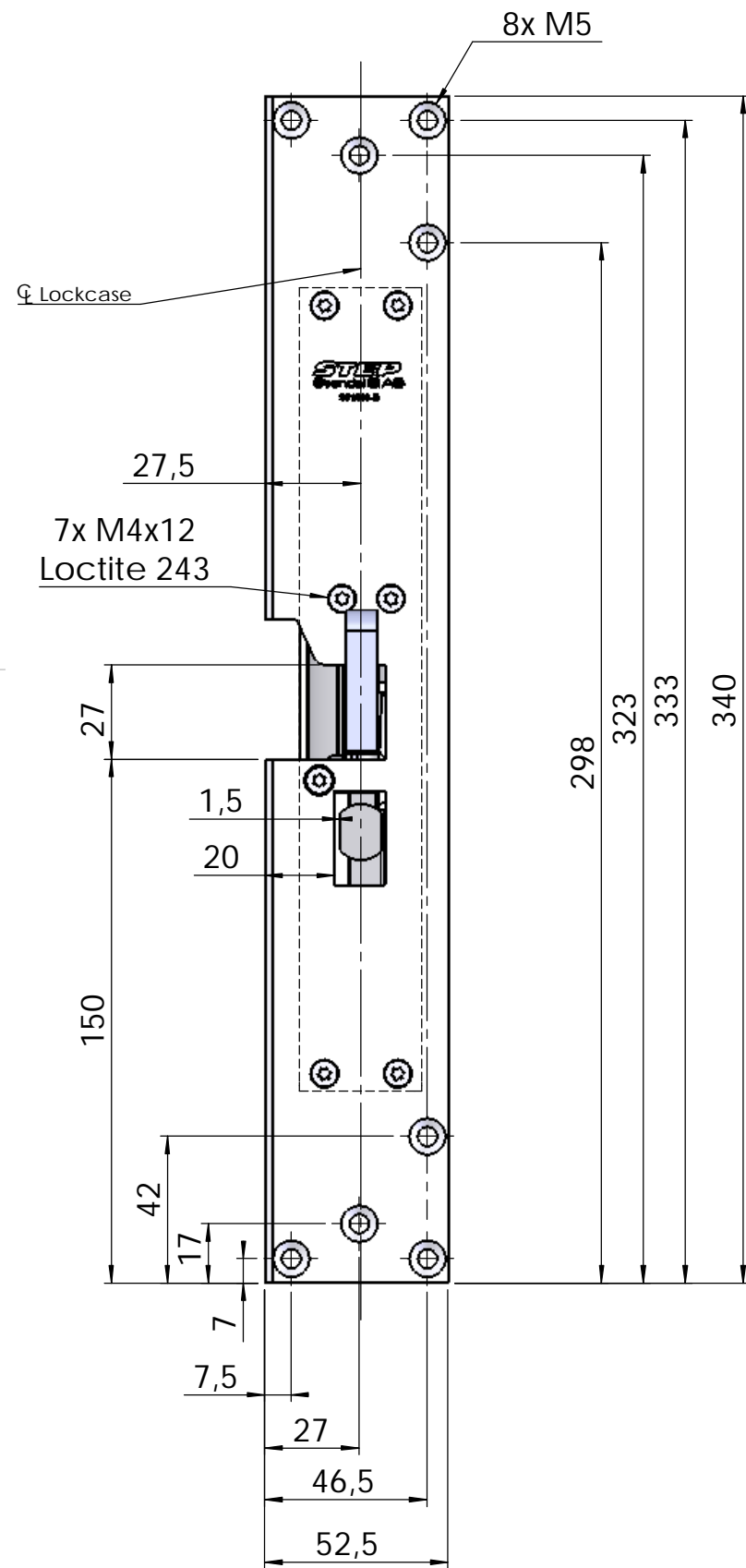


**STEP**



This document must not be copied without owners written allowance and its content must not be exposed for third part nor be used for unauthorized purpose.

Material		Surface finish			
Designed by	Checked by	Approved - date 2016-05-31	General tolerance SS-ISO 2768-1 m	Viewing	Scale 1:2
Owner <b>Stendals EI AB</b>		Title/Description <b>Plan stolpe för Step 18 höger</b>			
Drawing no <b>ST1805-B</b>		Revision	Sheet		